

DVD Player

DVP3110(K)

Service

DVP3110/93

DVP3110K/98/96/75/56/11

Service

Service



Service Manual

TABLE OF CONTENTS

Chapter

. Technical Specifications.....	1-2
. Safety Instruction, Warning & Notes.....	1-3
. Mechanical and Dismantling Instructions.....	2-1
. Region Code, Software Version& Upgrades.....	3-1
. Trouble Shooting Chart.....	4-1
. Wiring Diagram.....	5-1
. Electrical Diagrams and Print-layouts.....	6-1
. Set Mechanical Exploded View & Electrical Part list.....	7-1
. Electrical Parts List.....	8-1
. Revision List.....	9-1

©Copyright 2007 Philips Consumer Electronics B.V. Eindhoven, The Netherlands
All rights reserved. No part of this publication may be reproduced, stored in a retrieval system or transmitted, in any form or by any means, electronic, mechanical, photocopying, or otherwise without the prior permission of Philips.

Published by TCL-ET0729 Service Audio Printed in The Netherlands Subject to modification
Version 1.1

**CLASS 1
LASER PRODUCT**



3139 785 32631

PHILIPS

Technical Specifications

TV standard (PAL/50Hz) (NTSC/60Hz)

Number of lines	625	525
Playback	Multi standard	(PAL/NTSC)

Video performance

Video DAC	12 bit, 108MHz
YPbPr	0.7Vpp ---- 75 ohm
Video output	1Vpp ---- 75 ohm

Video format

Digital Compression	MPEG 2 for DVD,SVCD MPEG 1 for VCD
---------------------	---------------------------------------

DVD	50Hz	60Hz
Horiz resolution	720 pixels	720 pixels
Vertical resolution	576lines	480 lines

VCD	50Hz	60Hz
Horiz. resolution	352 pixels	352 pixels
Vertical resolution	288lines	240 lines

Audio format

Digital	MPEG/AC-3/ PCM	Compressed Digital
		16, 20, 24bits fs, 44.1, 48, 96kHz
	MP3(ISO 9660)	96,112,128,256kbps & variable bit rate fs,32, 44.1,48 kHz

Analogue Sound Stereo

Dolby surround compatible downmix from Dolby Digital multi-channel sound

Audio performance

DA converter	24bits, 192KHz
DVD	fs 96kHz 4Hz----44kHz fs 48kHz 4Hz----22kHz
SVCD	fs 48kHz 4Hz----22kHz fs 44.1kHz 4Hz----20kHz
CD/ VCD	fs 44.1kHz 4Hz----20kHz
Signal-Noise (1kHz)	>90dB
Dynamic Range (1kHz)	>80dB
Cross talk (1kHz)	>80dB
Distortion/Noise (1kHz)	>80dB
MPEG MP3	MPEG Audio L3

Connections

YPbPr output	Cinch 3x
Video output	Cinch(yellow)
Audio output (L+R)	Cinch (white/red)
Digital output	1 coaxial IEC60958 for CDDA/ LPCM IEC61937 for MPEG1/2, Dolby Digital

Cabinet

Dimensions (w X h X d)	360 x 37 x 235 mm
Weight	Approximately 2.0kg

Power consumption

Power supply Rating	110V-240V; 50/60HZ
Power consumption	<10W
Power consumption in standby mode	<1W


Specifications subject to change without prior notice.

Safety instruction, Warning & Notes

Safety instruction

1. General safety

Safety regulations require that during a repair:

- . Connect the unit to the mains via an isolation transformer.
- . Replace safety components indicated by the symbol , only by components identical to the original ones. Any other component substitution (other than original type) may increase risk of fire or electrical shock hazard.

Safety regulations require that after a repair, you must return the unit in its original condition. Pay, in particular, attention to the following points:

- . Route the wires/cables correctly, and fix them with the mounted cable clamps.
- . Check the insulation of the mains lead for external damage.
- . Check the electrical DC resistance between the mains plug and the secondary side:
 - 1) Unplug the mains cord, and connect a wire between the two pins of the mains plug.
 - 2) Set the mains switch the "on" position (keep the mains cord unplug).
 - 3) Measure the resistance value between the mains plug and the front panel, controls, and chassis bottom.
 - 4) Repair or correct unit when the resistance measurement is less than 1M Ω .
 - 5) Verify this, before you return the unit to the customer/user (ref. UL-standard no. 1492).
 - 6) Switch the unit "off", and remove the wire between the two pins of the mains plug.

2.Laser safety

This unit employs a laser. Only qualified service personnel may remove the cover, or attempt to service this device (due to possible eye injury).

Laser device unit

Type : Semiconductor laser GaAlAs

Wavelength : 650nm (DVD)

: 780nm (VCD/CD)

Output power : 7mW (DVD)

: 10mW (DVD /CD)

Beam divergence: 60 degree

Note: Use of controls or adjustments or performance of procedure other than those specified herein, may result in hazardous radiation exposure. Avoid direct exposure to beam.

Warning

1. General

. All ICs and many other semiconductors are susceptible to electrostatic discharges (ESD). Careless handling during repair can reduce life drastically. Make sure that, during repair, you are at the same potential as the mass of the set by a wristband with resistance. Keep components and tools at this same potential. Available ESD protection equipment:

- 1) Complete kit ESD3 (small tablemat, wristband, connection box, extension cable and earth cable) 4822 310 10671.
- 2) Wristband tester 4822 344 13999.

. Be careful during measurements in the live voltage section. The primary side of the power supply, including the heat sink, carries live mains voltage when you connect the player to the mains (even when the player is "off!"). It is possible to touch copper tracks and/or components in this unshielded primary area, when you service the player. Service personnel must take precautions to prevent touching this area or components in this area. A "lighting stroke" and a stripe-marked printing on the printed wiring board, indicate the primary side of the power supply.

. Never replace modules, or components, while the unit is "on".

2. Laser

- . The use of optical instruments with this product, will increase eye hazard.
- . Only qualified service personnel may remove the cover or attempt to service this device, due to possible eye injury.
- . Repair handling should take place as much as possible with a disc loaded inside the player.
- . Text below is placed inside the unit, on the laser cover shield:


**CAUTION: VISIBLE AND INVISIBLE LASER
RADIATION WHEN OPEN, AVOID EXPOSURE
TO BEAM.**

Notes: Manufactured under licence from Dolby Laboratories. The double-D symbol is trademarks of Dolby Laboratories, Inc. All rights reserved.

Notes

Lead-Free requirement for service

IDENTIFICATION:

Regardless of special logo (not always indicated) 

One must treat all sets from 1.1.2005 onwards, according next rules.

***Important note:** In fact also products a little older can also be treated in this way as long as you avoid mixing solder-alloys (leaded/ lead-free). So best to always use SAC305 and the higher temperatures belong to this.*

Due to lead-free technology some rules have to be respected by the workshop during a repair:

- Use only lead-free solder alloy Philips SAC305 with order code 0622 149 00106. If lead-free solder-paste is required, please contact the manufacturer of your solder-equipment. In general use of solder-paste within workshops should be avoided because paste is not easy to store and to handle.
- Use only adequate solder tools applicable for lead-free solder alloy. The solder tool must be able
 - To reach at least a solder-temperature of 400°C,
 - To stabilize the adjusted temperature at the solder-tip
 - To exchange solder-tips for different applications.
- Adjust your solder tool so that a temperature around 360°C – 380°C is reached and stabilized at the solder joint. Heating-time of the solder-joint should not exceed ~ 4 sec. Avoid temperatures above 400°C otherwise wear-out of tips will rise drastically and flux-fluid will be destroyed. To avoid wear-out of tips switch off un-used equipment, or reduce heat.
- Mix of lead-free solder alloy / parts with leaded solder alloy / parts is possible but PHILIPS recommends strongly to avoid mixed solder alloy types (leaded and lead-free). If one cannot avoid, clean carefully the solder-joint from old solder alloy and re-solder with new solder alloy (SAC305).

- Use only original spare-parts listed in the Service-Manuals. Not listed standard-material (commodities) has to be purchased at external companies.
- Special information for BGA-ICs:
 - always use the 12nc-recognizable soldering temperature profile of the specific BGA (for de-soldering always use highest lead-free temperature profile, in case of doubt)
 - lead free BGA-ICs will be delivered in so-called 'dry-packaging' (sealed pack including a silica gel pack) to protect the IC against moisture. After opening, dependent of MSL-level seen on indicator-label in the bag, the BGA-IC possibly still has to be baked dry. This will be communicated via AYS-website.
Do not re-use BGAs at all.
- For sets produced before 1.1.2005, containing leaded soldering-tin and components, all needed spare-parts will be available till the end of the service-period. For repair of such sets nothing changes.
- On our website:
www.atyourservice.ce.Philips.com

You find more information to:

BGA-de-/soldering (+ baking instructions)
Heating-profiles of BGAs and other ICs used in Philips-sets

You will find this and more technical information within the "magazine", chapter "workshop news".

For additional questions please contact your local repair-helpdesk.

Mechanical and Dismantling Instructions

Dismantling Instruction

The following guideline is a general instruction for how to dismantle the player, Detailed operation done according the set unit.

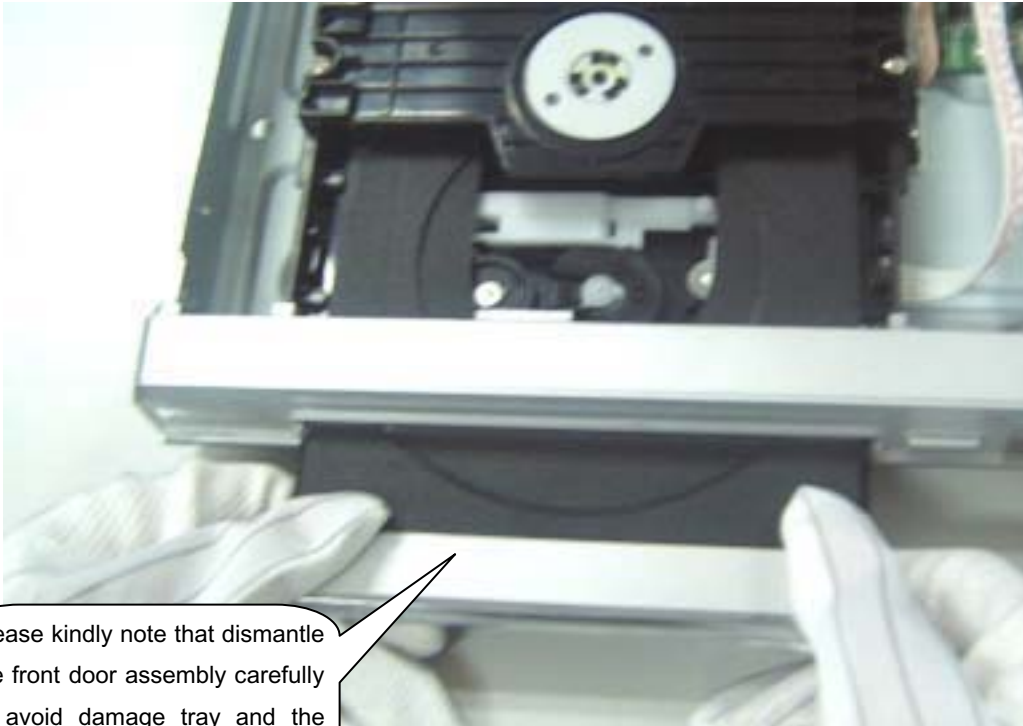
Step1: Remove 5 screws around the Top Cover, then remove the Top Cover (Figure 1).



Figure 1

Step2: If it is necessary to dismantle Loader or Front Panel, It should be remove the Front door assembly first. (Figure 2)

Note: Make sure to operate gently otherwise the guider would be damaged.



Please kindly note that dismantle the front door assembly carefully to avoid damage tray and the front door assembly.

Figure 2

Mechanical and Dismantling Instructions

Dismantling Instruction

Step3: If the tray can't open in normal way, you can make it through the instruction as below (Figure 3).
Note: Make sure to operate gently otherwise the guider would be damaged.

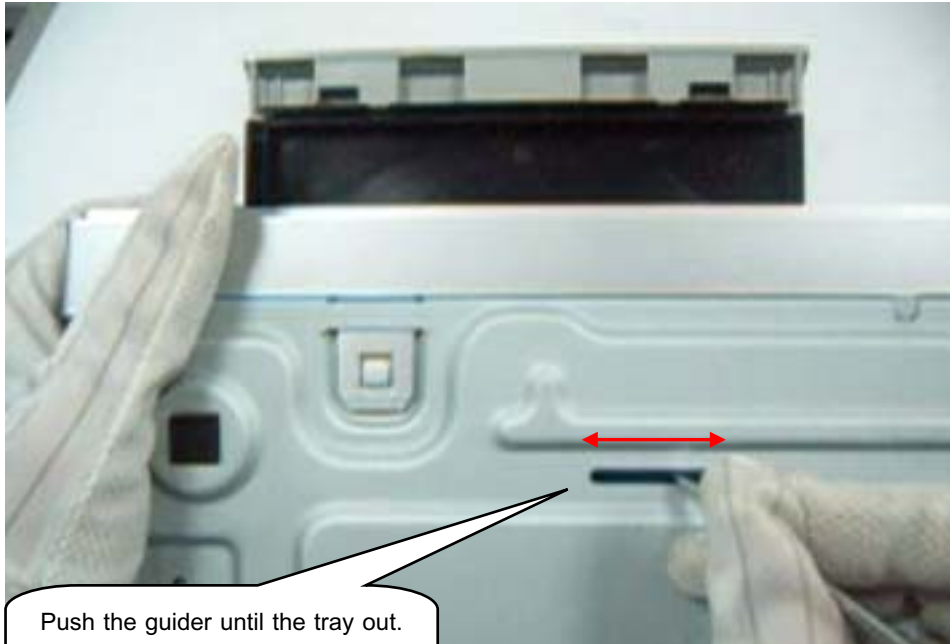


Figure 3

Step4: Dismantling Loader, disconnect the 3 connectors aiming in the below figure, and remove 4 screws around the Loader. (Figure 4)

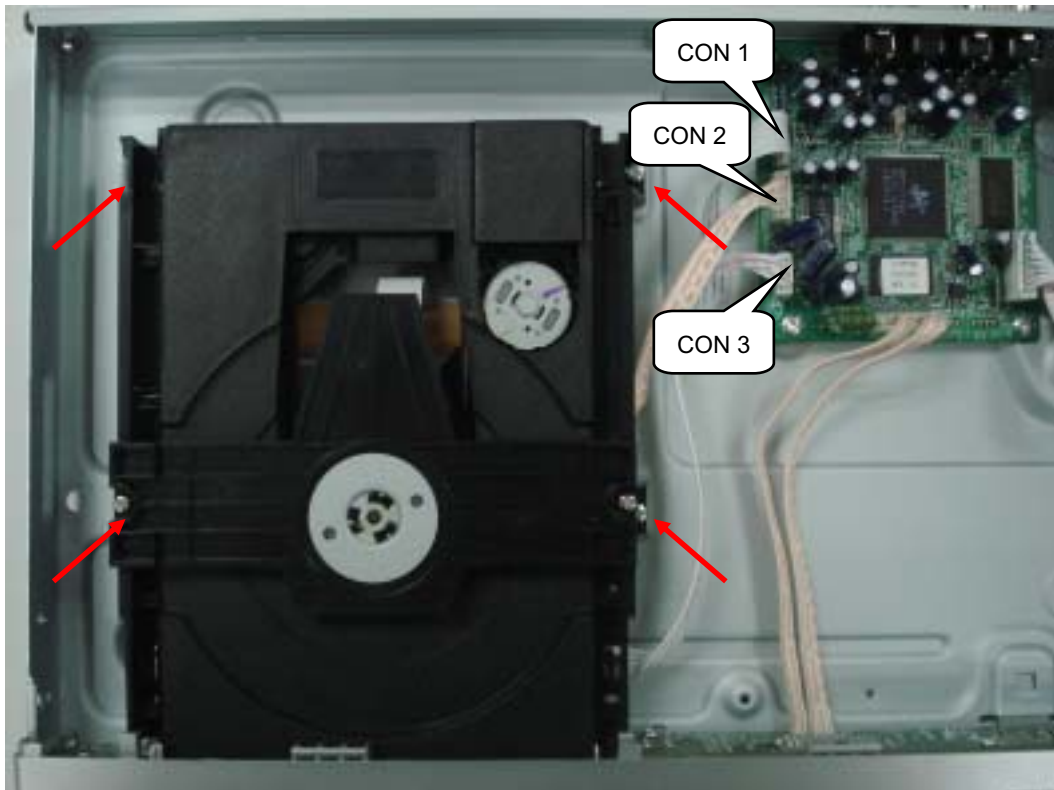


Figure 4

Mechanical and Dismantling Instructions

Dismantling Instruction

Step5: Dismantling Front Panel, disconnect the 1 connector, then release the snaps on the both sides of Front Panel and bottom cabinet , then gently pull the Panel out from the set. (Figure 5 & 6 & 7)

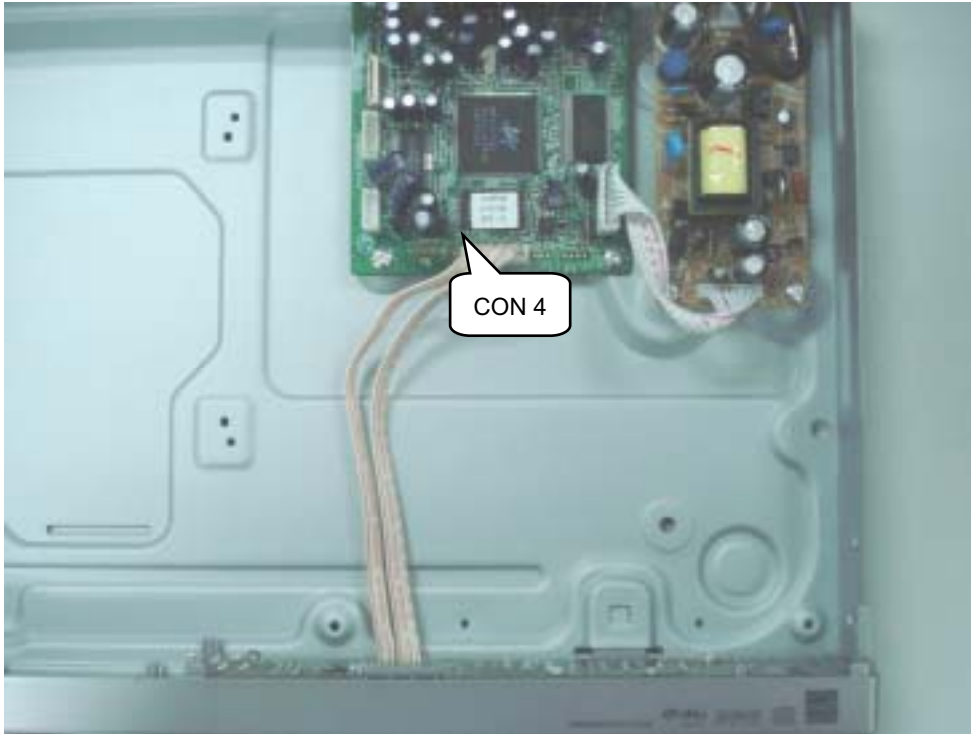


Figure 5

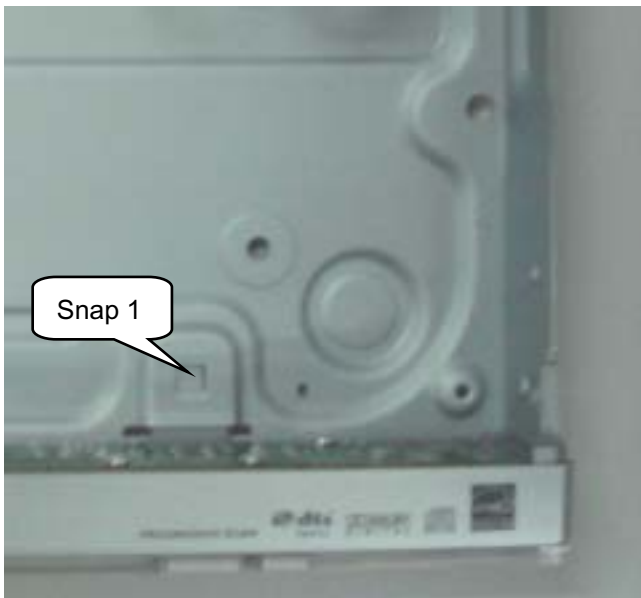


Figure 6

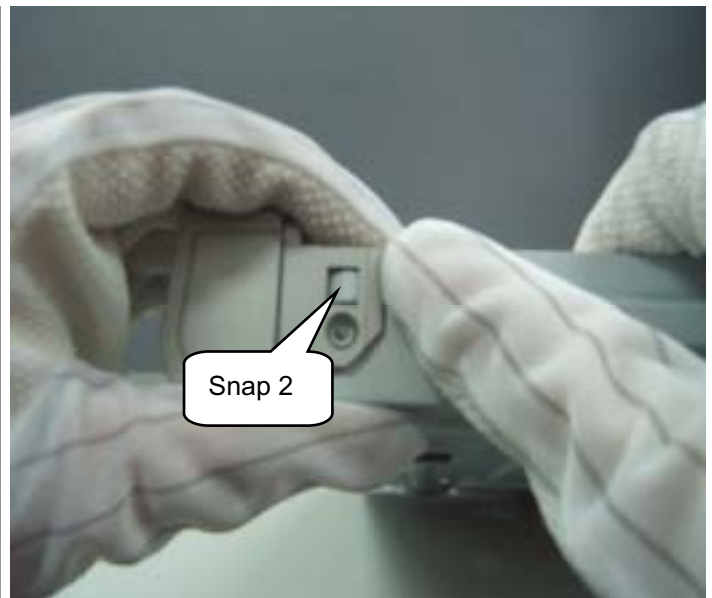


Figure 7

Mechanical and Dismantling Instructions

Dismantling Instruction

Step6: Dismantling Main Board, first disconnect the 1 connector, then remove 4 screws to remove the Main board. (Figure 8)

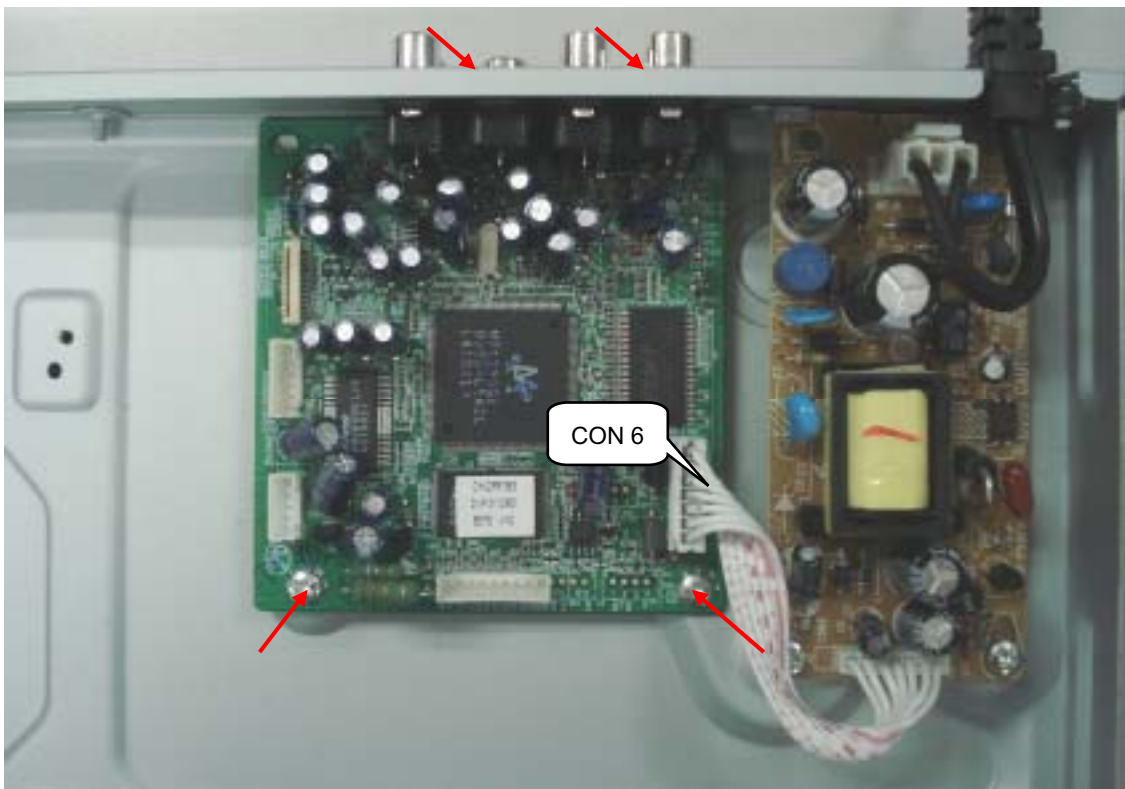


Figure 8

Step7: Remove the 2 screws on Power Board to dismantle the Power Board. (Figure 9)



Figure 9

Software upgrade

Preparation to upgrade software

- 1) Start the CD Burning software and create a new CD project (Data Disc) with the following setting:
Label: DVP31XX (No need the label name)
File Name: DVPXXXX_XX.BIN
Power on the set and open the tray, then press <5><5> to check the File Name.

Note: It is required capital letter for the File System name

- 2) Burn the data onto a blank CDR

A. Procedure for software upgrade:

- 1) Power on the set and insert the prepared Upgrade CDR.
- 2) The set will starts reading disc & response with the following display TV screen:
Upgrade File DETECTED
Upgrade?
Press Play TO START.
- 3) Press <OK> button to confirm, then screen will display :
Files coping...
UPGRADING...
- 4) The upgraded disc will automatically out when files coping complete, then take out the disc.
- 5) About 1 minute later, the tray will automatically close when upgrading complete.

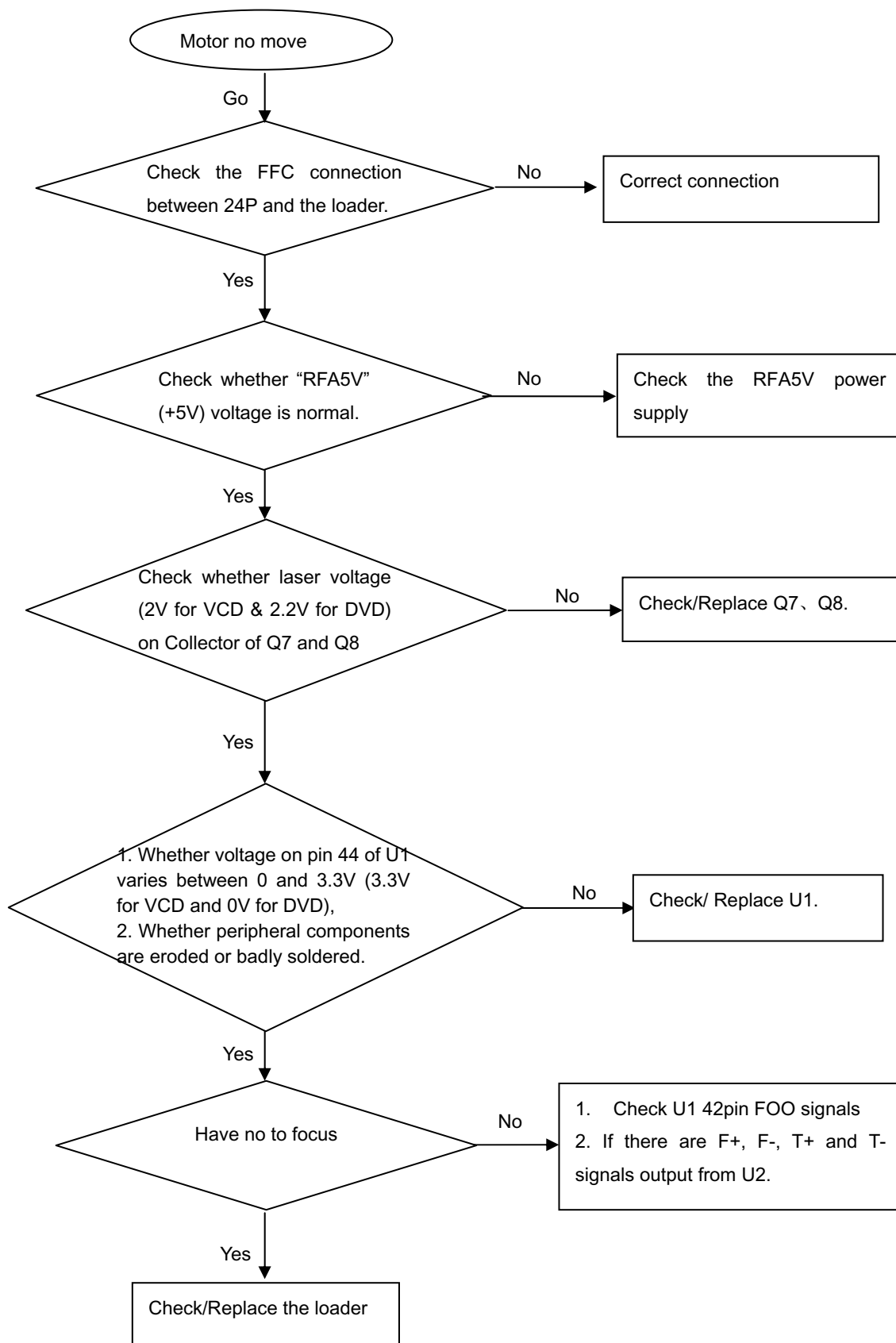
B. Read out the software versions to confirm upgrading

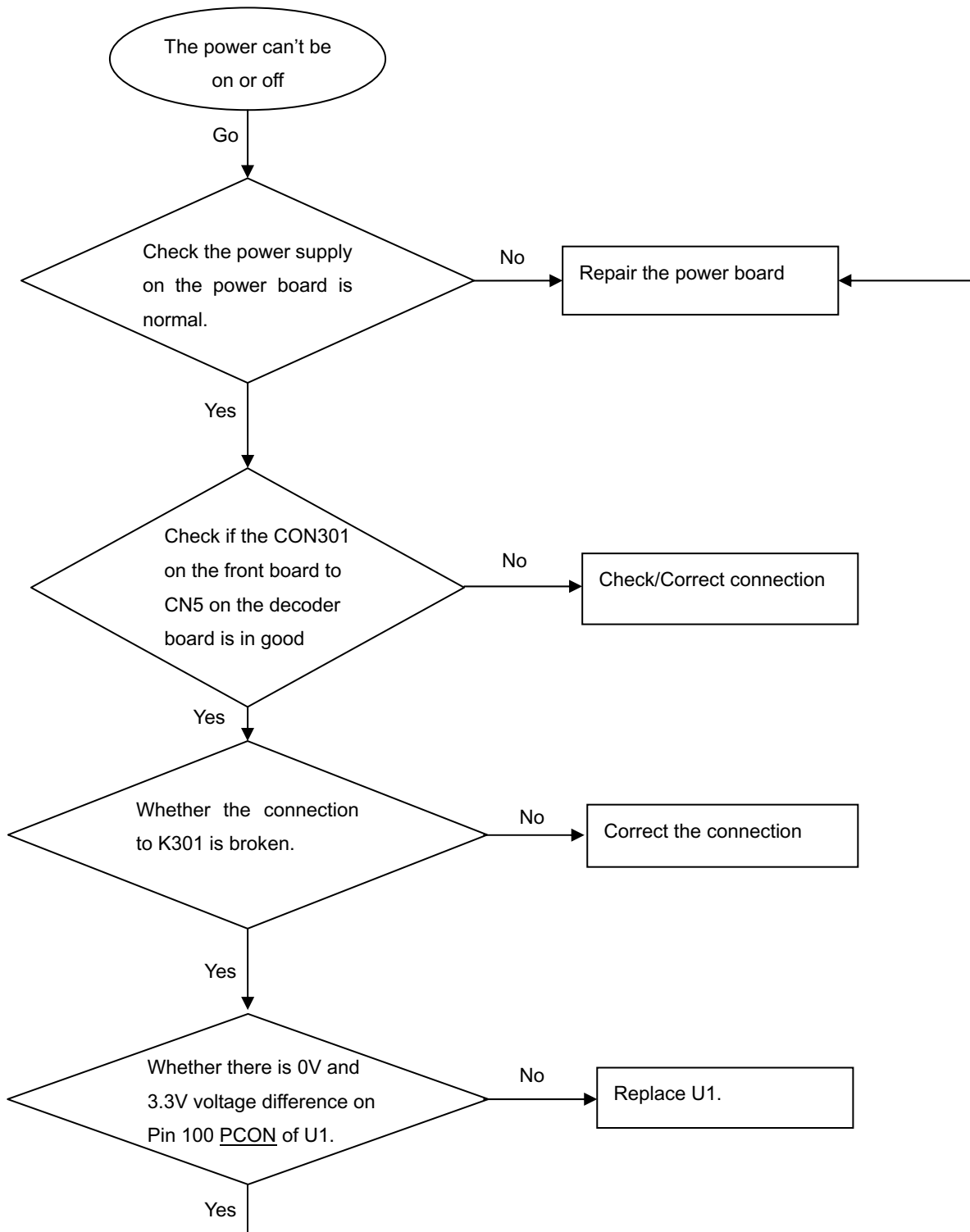
- 1) Power on the set and press <Setup> button on the remote control.
- 2) Press<1><3><7><9>button to check the software information.

The software version and other information are display on the TV screen as follows:

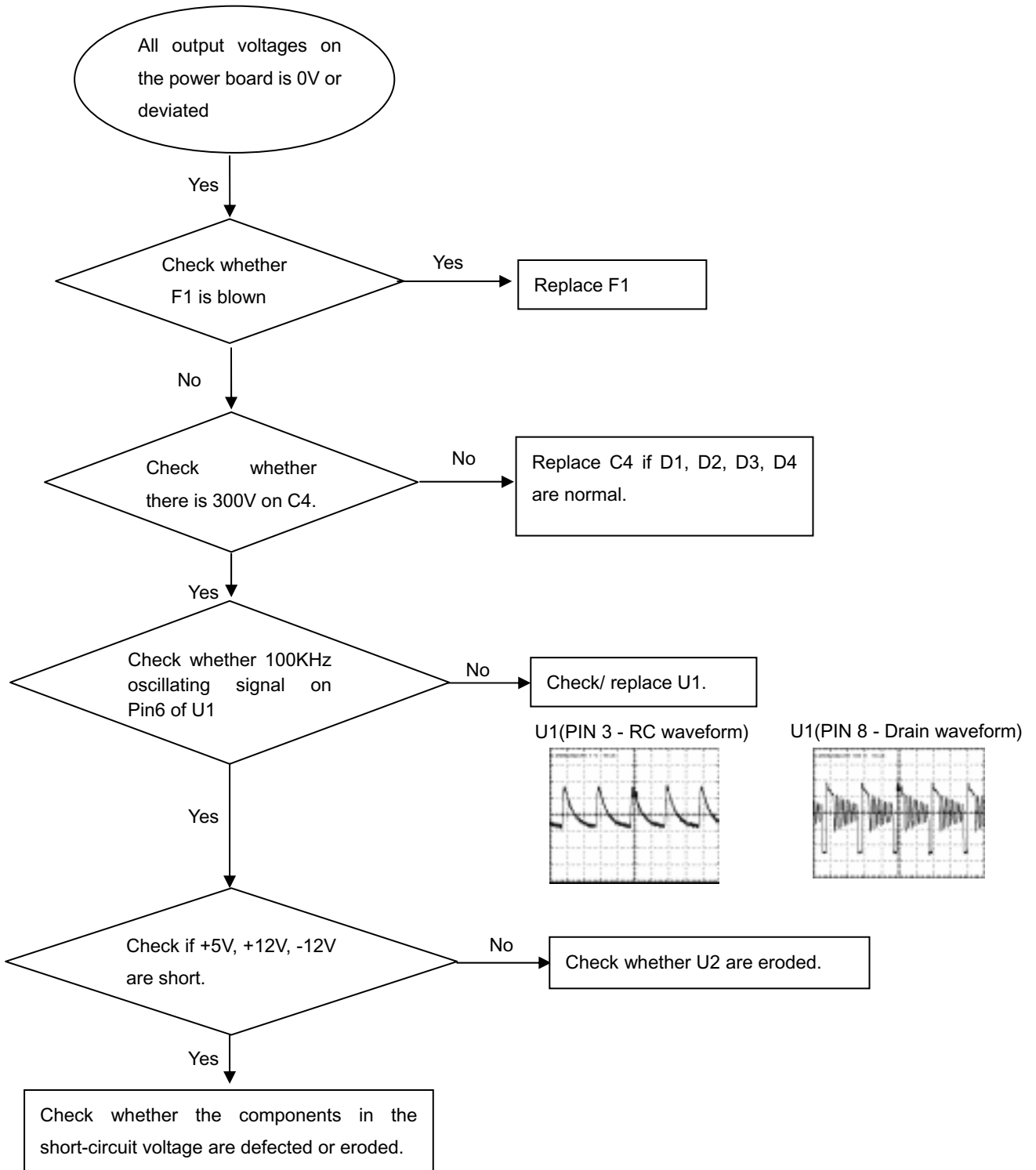
Version	XX.XX.XX.XX (Main version)
SUB-VER	XX.XX.XX.XX (software version of application software)
8032	XX.XX.XX.XX
Servo	XX.XX.XX.XX (software version of Servo)
RISC	XX.XX.XX.XX
DSP	XX.XX.XX.XX
Region Code	X

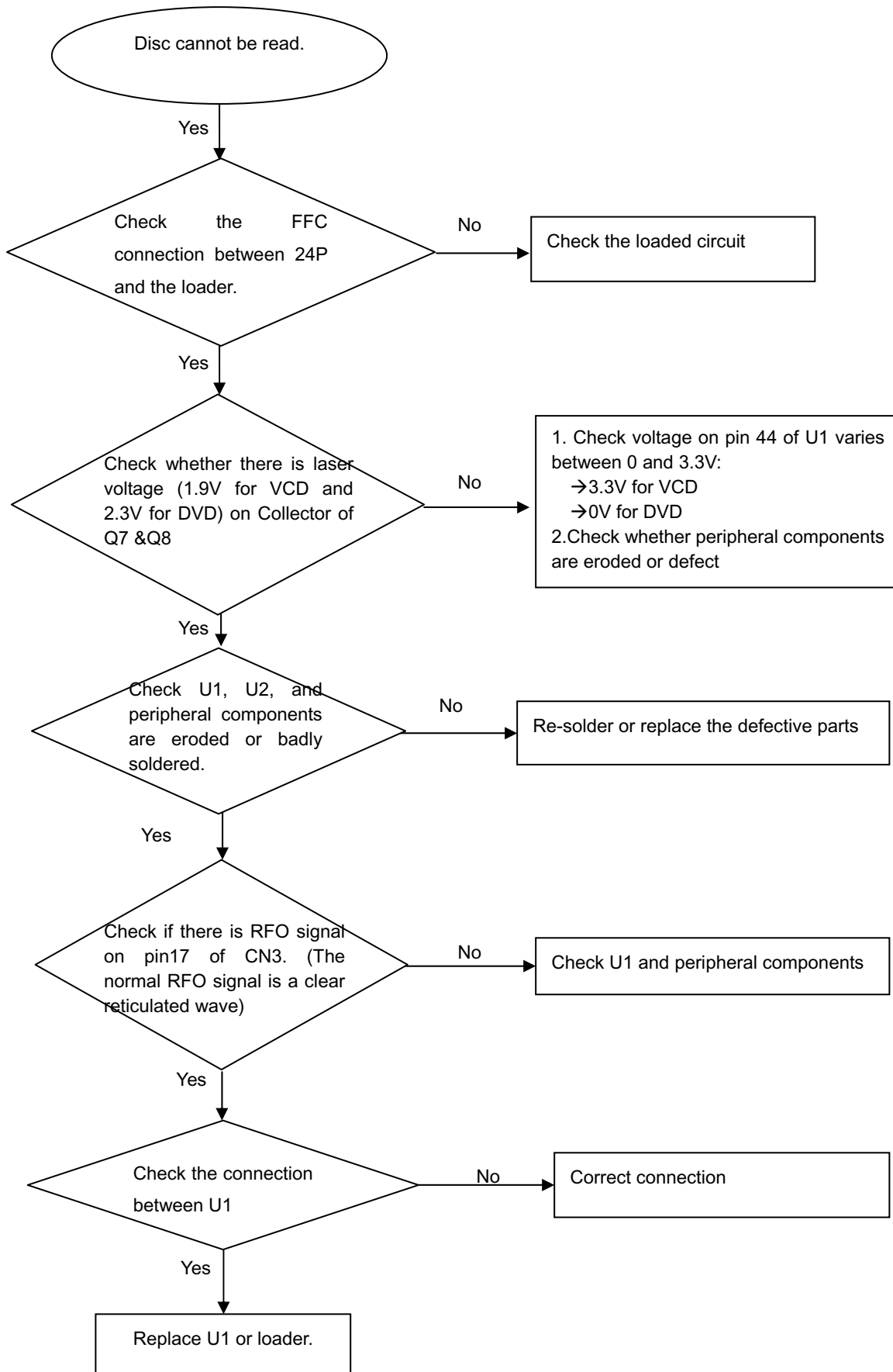
Caution: The set must not be power off during upgrading, Otherwise the Main board will be damaged entirely.

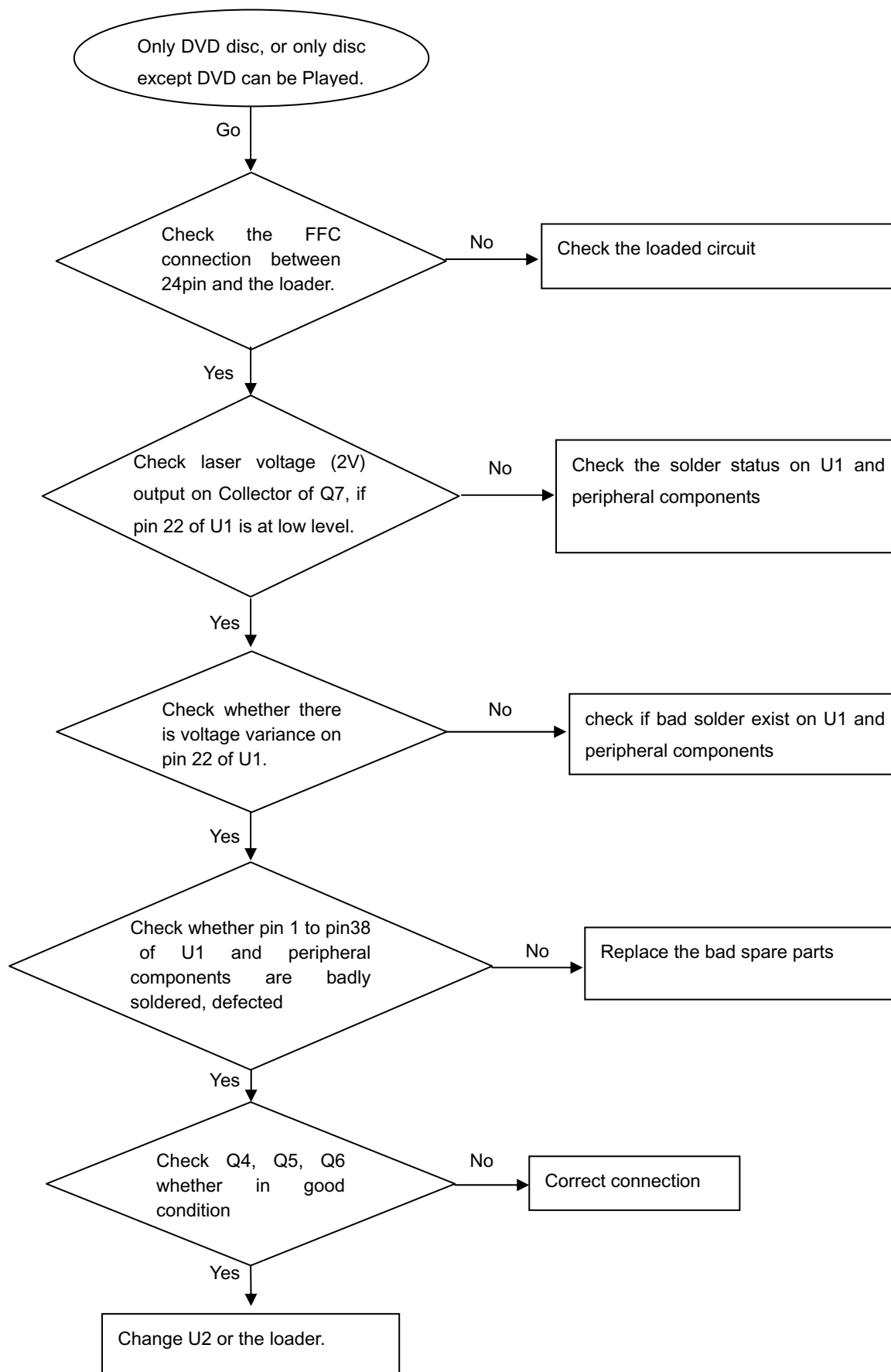
Spindle motor does not move

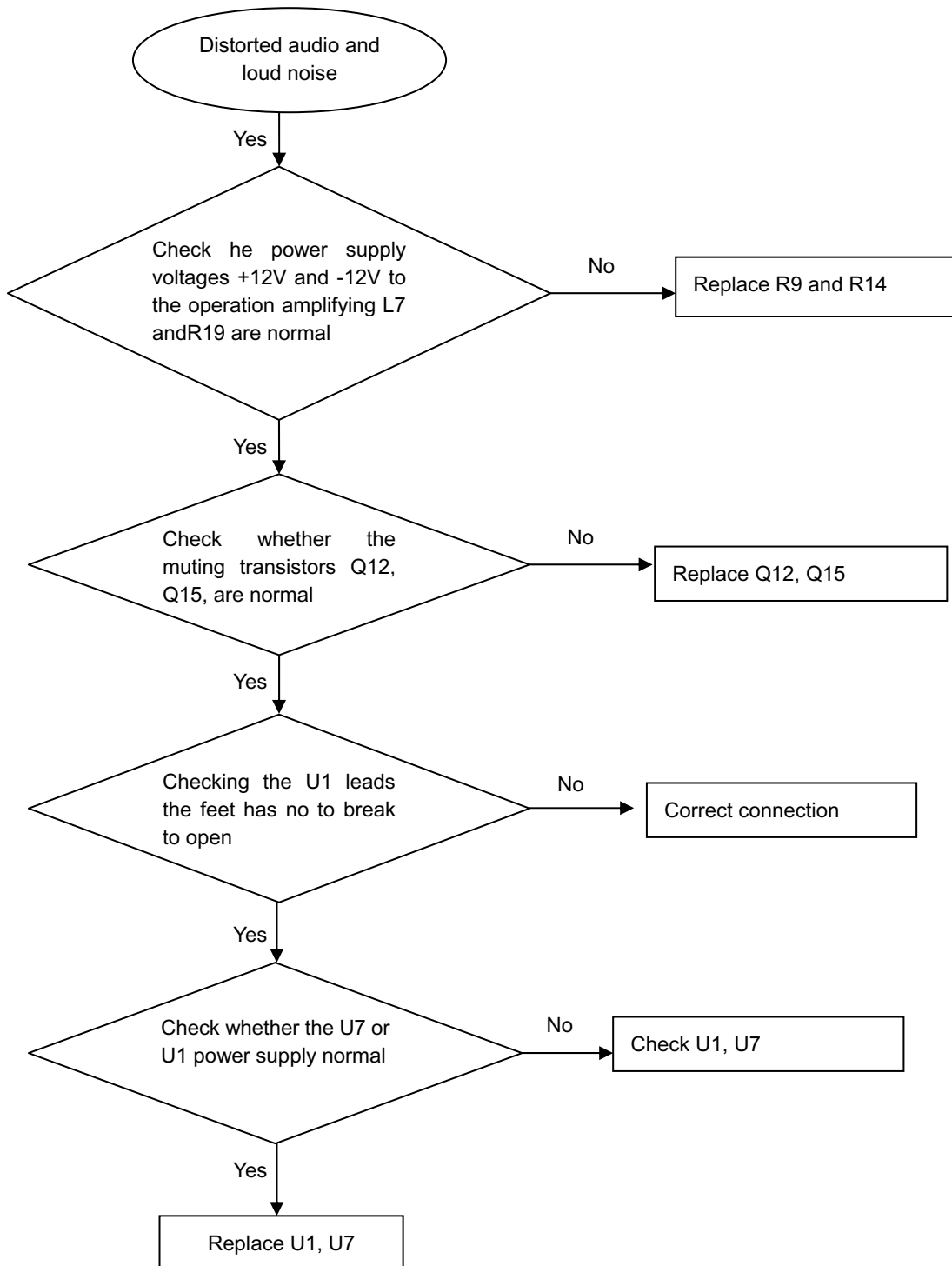
The power can not be on or off

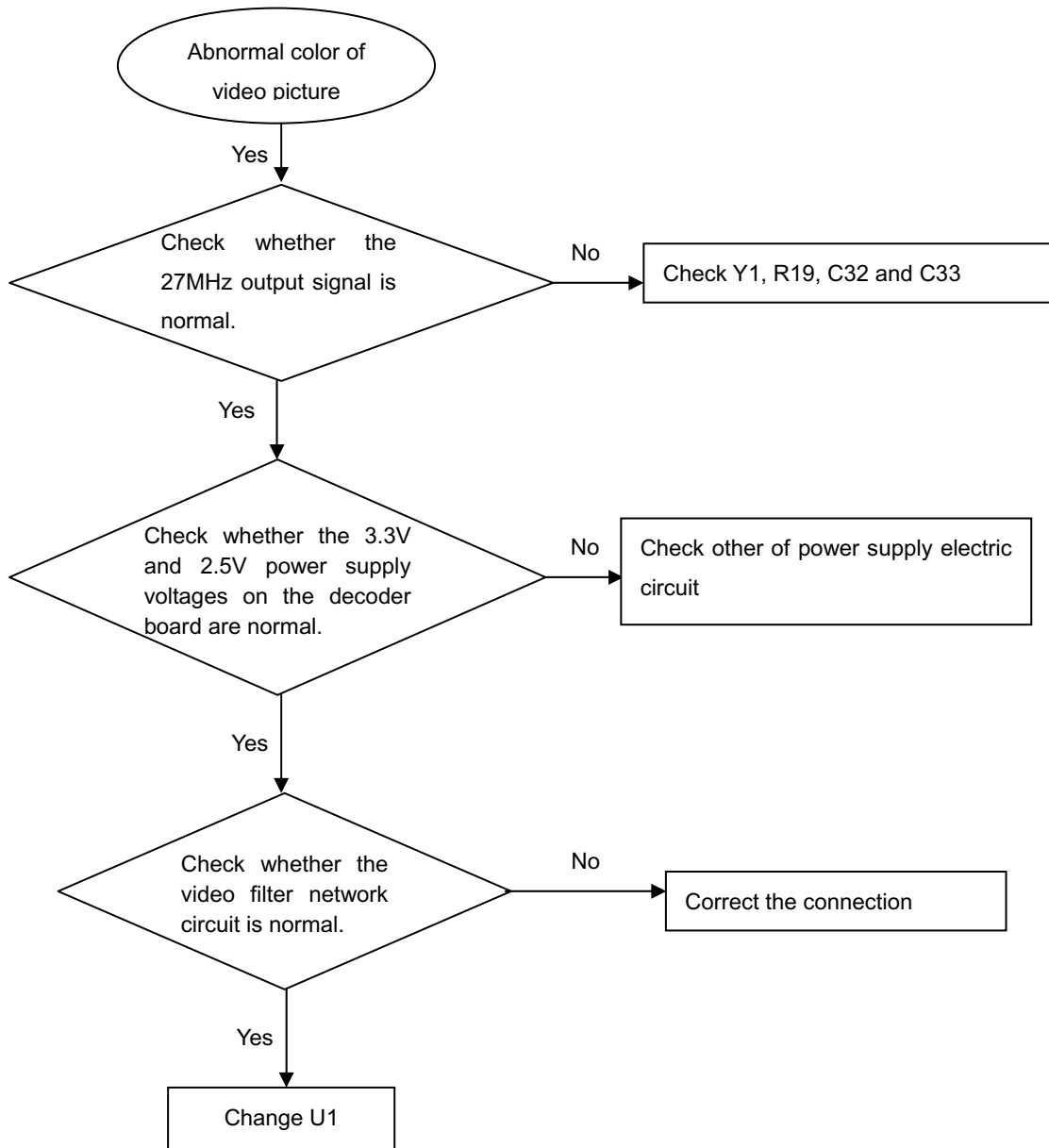
All output voltages on the power board is 0V or deviated.

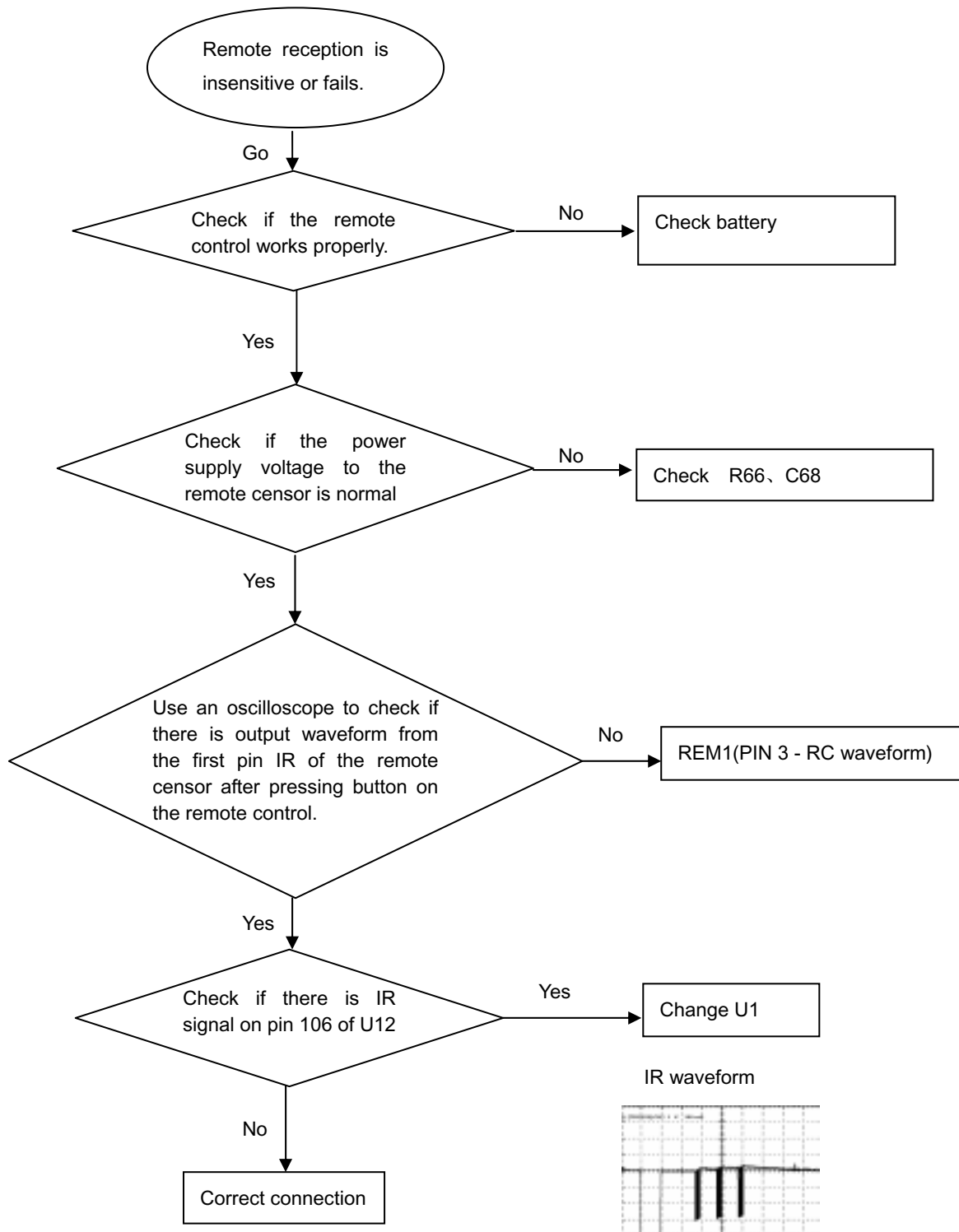


Disc cannot be read.

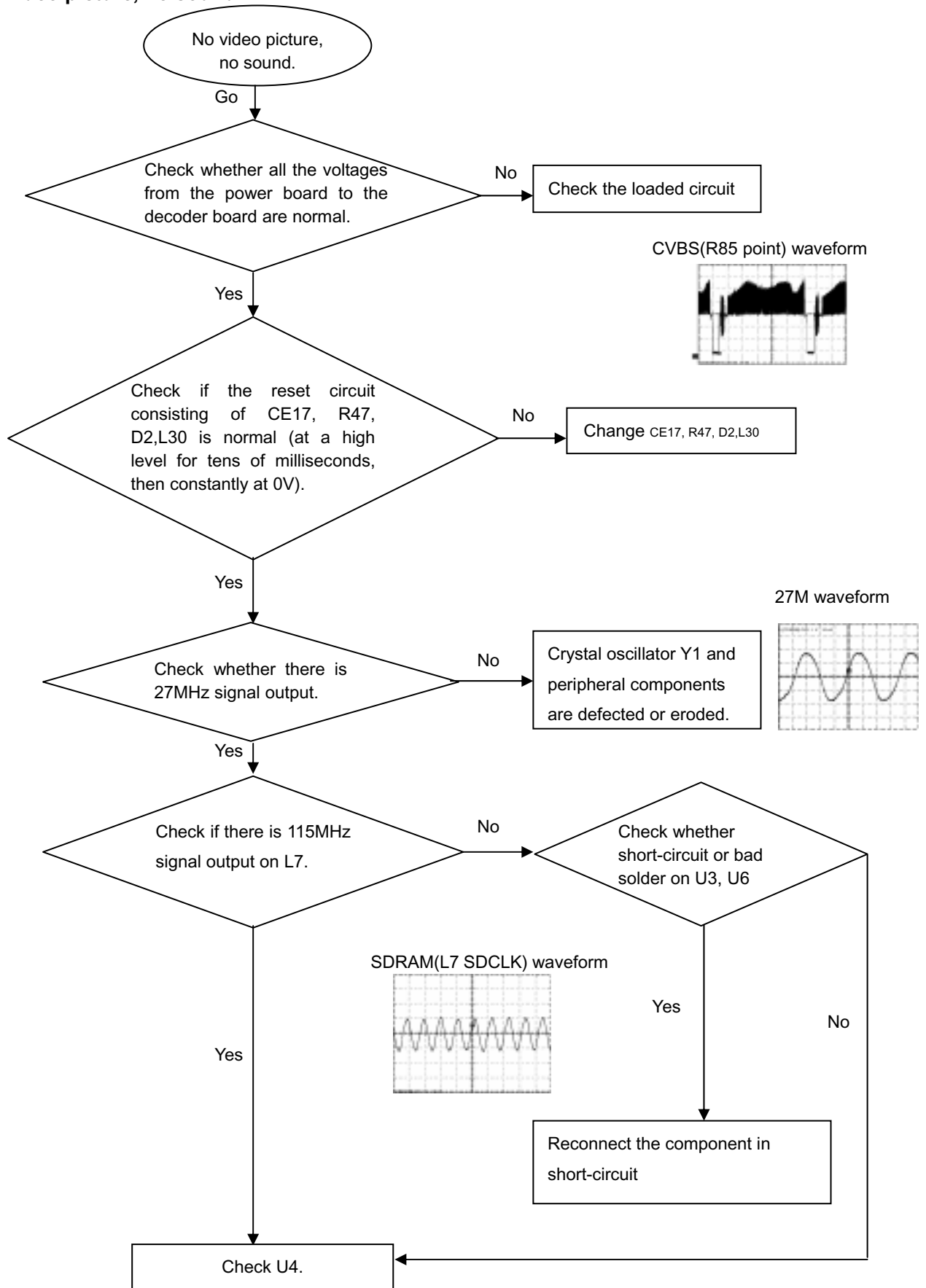
Only DVD disc or only disc except DVD can be played

Distorted audio and loud noise

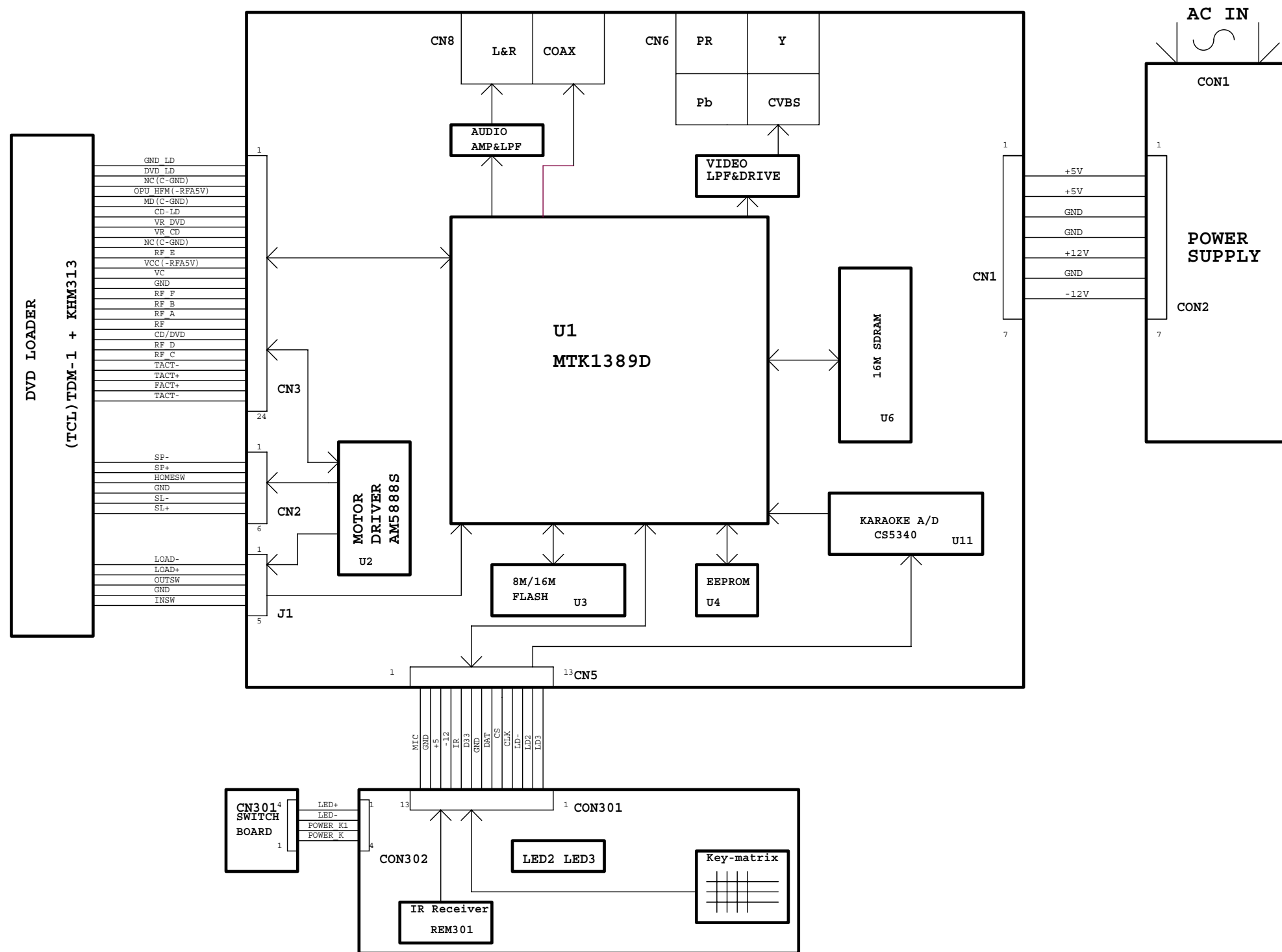
Abnormal color of video picture

Remote reception is insensitive or fails.

No video picture, no sound.

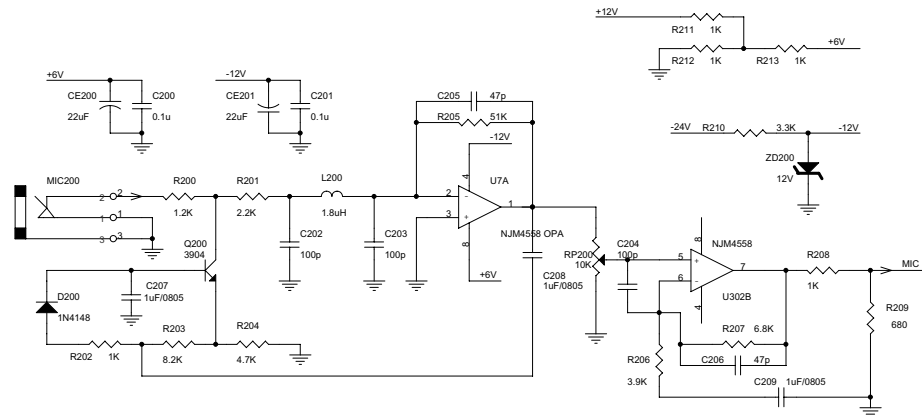
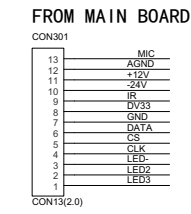
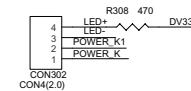
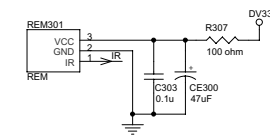
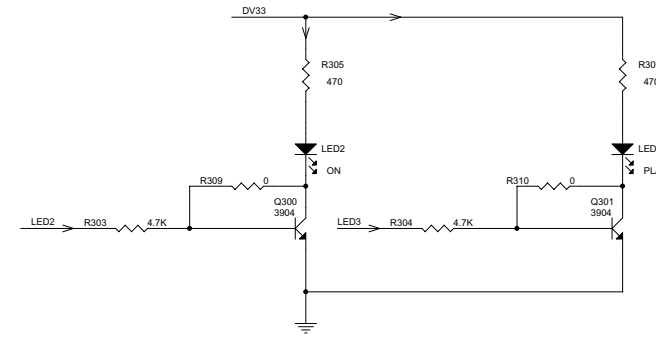
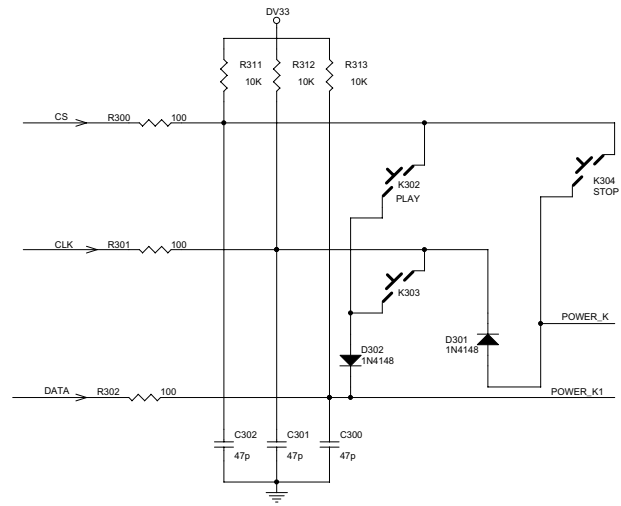


DVP3110 (K) /XX WIRING DIAGRAM



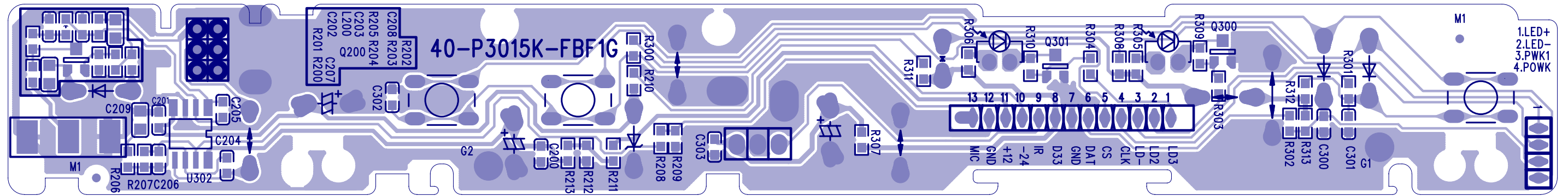
Remark: DVP3110K have Karaoke.

Front Board Electric Diagram

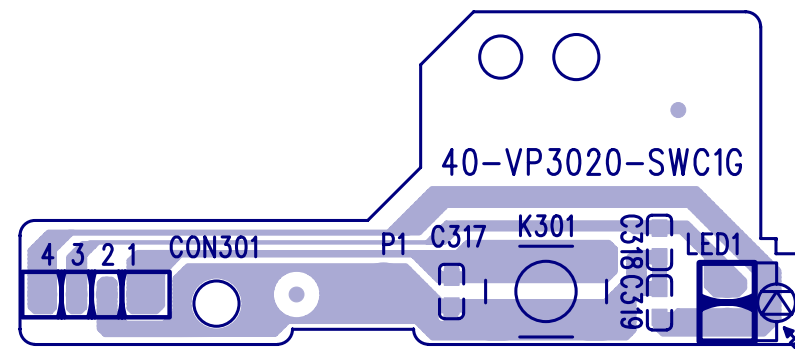


- CE200 A3
- CE201 B3
- CE300 D2
- CON301 D3
- CON302 D3
- C200 A3
- C201 B3
- C202 B3
- C203 B3
- C204 B3
- C205 B3
- C206 C4
- C207 A3
- C208 B3
- C209 C4
- C300 B2
- C301 B2
- C302 B2
- C303 D2
- D200 A3
- D301 B2
- D302 B2
- K302 B1
- K303 B2
- K304 B1
- LED2 D2
- LED3 D2
- L200 B3
- MIC200 A3
- Q200 B3
- Q300 D2
- Q301 D2
- REM301 D2
- RP200 B3
- R200 B3
- R201 B3
- R202 A4
- R203 B4
- R204 B4
- R205 B3
- R206 B4
- R207 C4
- R208 C3
- R209 C3
- R210 C3
- R211 B3
- R212 B3
- R213 C3
- R300 B1
- R301 B2
- R302 A2
- R303 D2
- R304 D2
- R305 D1
- R306 D1
- R307 D2
- R308 D3
- R309 D2
- R310 D2
- R311 B1
- R312 B1
- R313 B1
- U7A B3
- U302B B3
- ZD200 C3

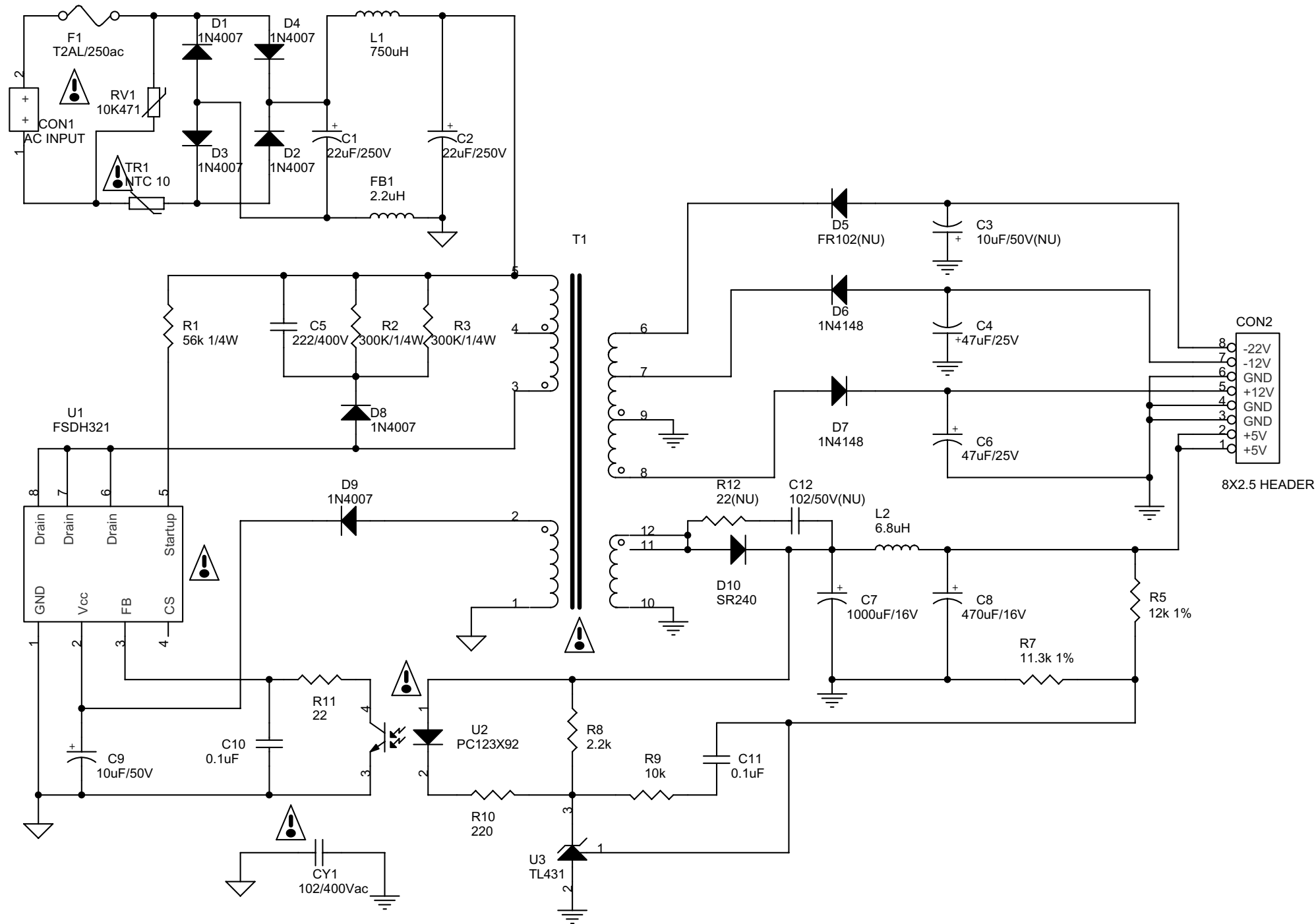
Front Board Print-Layout (Bottom Side)




Switch Board Print-Layout (Bottom Side)



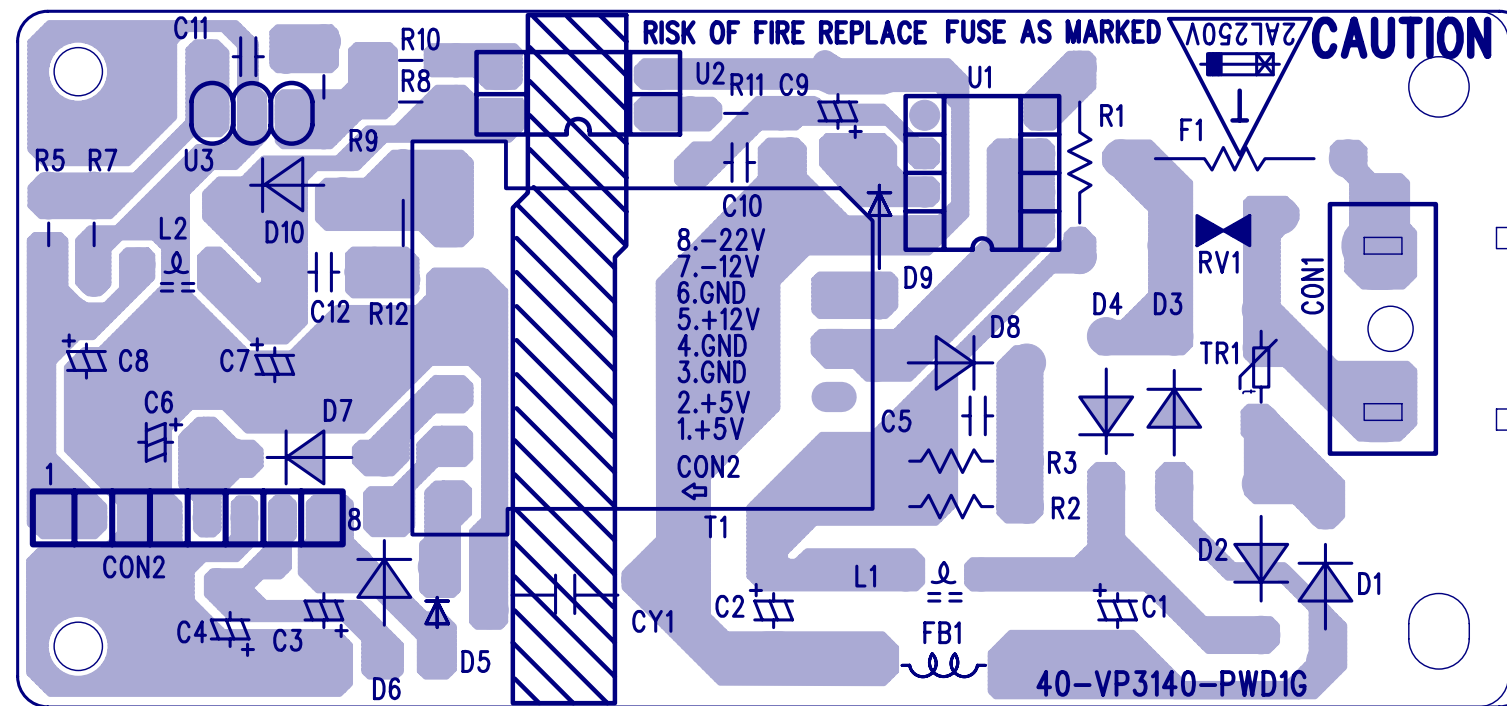
Power Board Electric Diagram



C1	B1
C10	A3
C11	C3
C12	C2
C2	B1
C3	C1
C4	C2
C5	A2
C6	C2
C7	C3
C8	C3
C9	A3
CON1	A1
CON2	D2
CY1	B4
D1	A1
D10	C3
D2	A1
D3	A1
D4	A1
D5	C1
D6	C2
D7	C2
D8	B2
D9	C2
F1	A1
FB1	B1
L1	B1
L2	C3
R1	A2
R10	B3
R11	A3
R12	C2
R2	B2
R3	B2
R5	D3
R7	D3
R8	B3
R9	B3
RV1	A1
T1	B2
TR1	A1
U1	A2
U2	B3
U3	B3

*** CAUTION :**
 THE PARTS MARKED WITH  ARE IMPORTANT PARTS ON THE SAFETY.
 PLEASE USE THE PARTS HAVING THE DESIGNATED PARTS NUMBER WITHOUT FAIL.

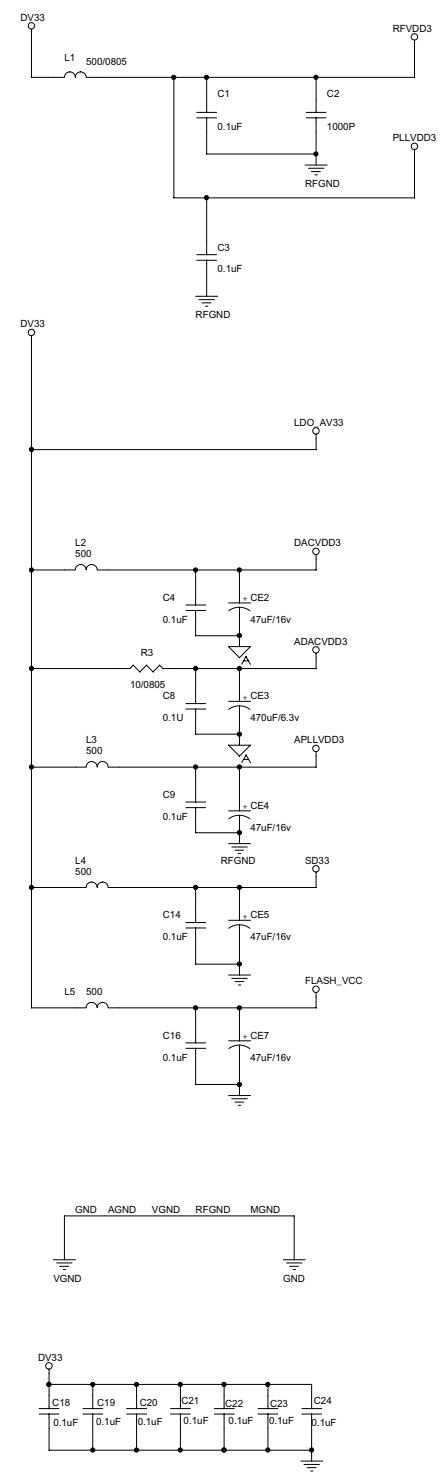
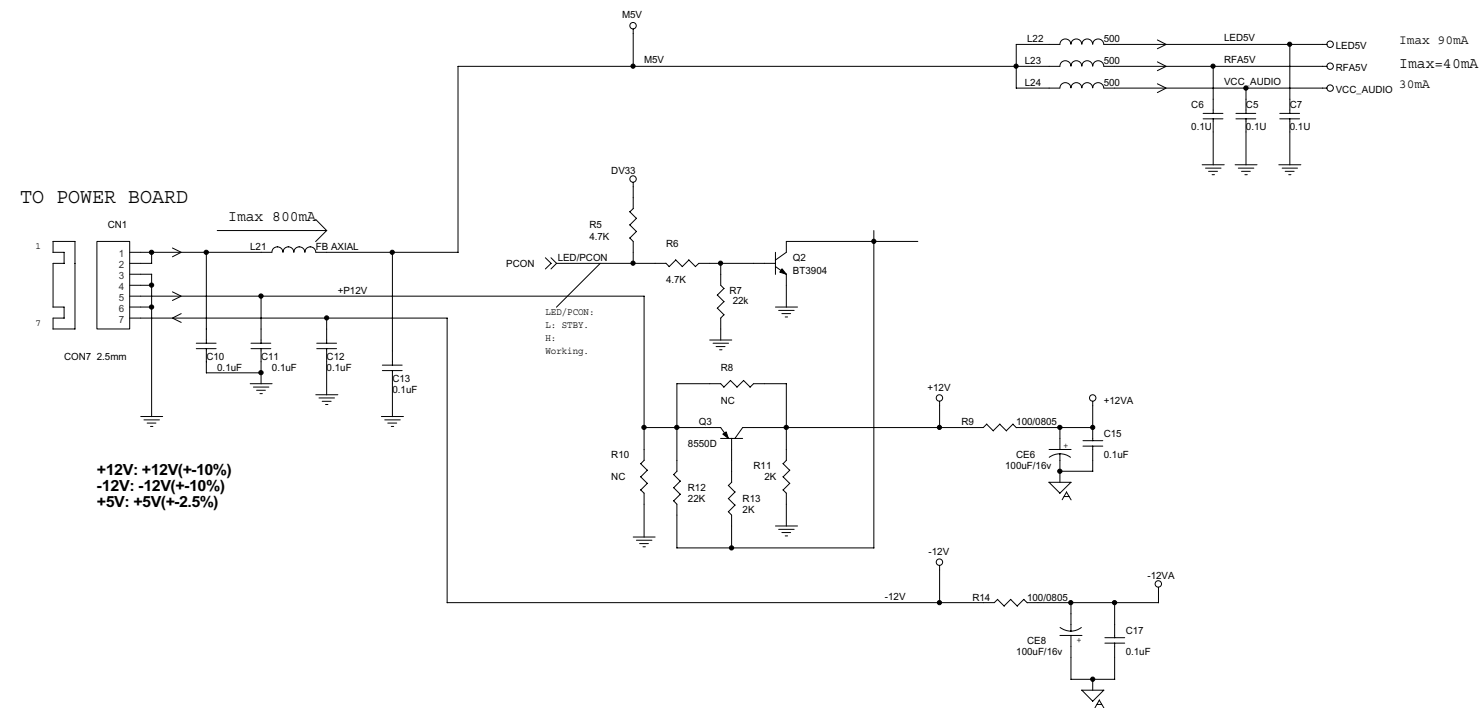
Power Board Print-Layout (Bottom Side)



Main Board Electric Diagram: INDEX

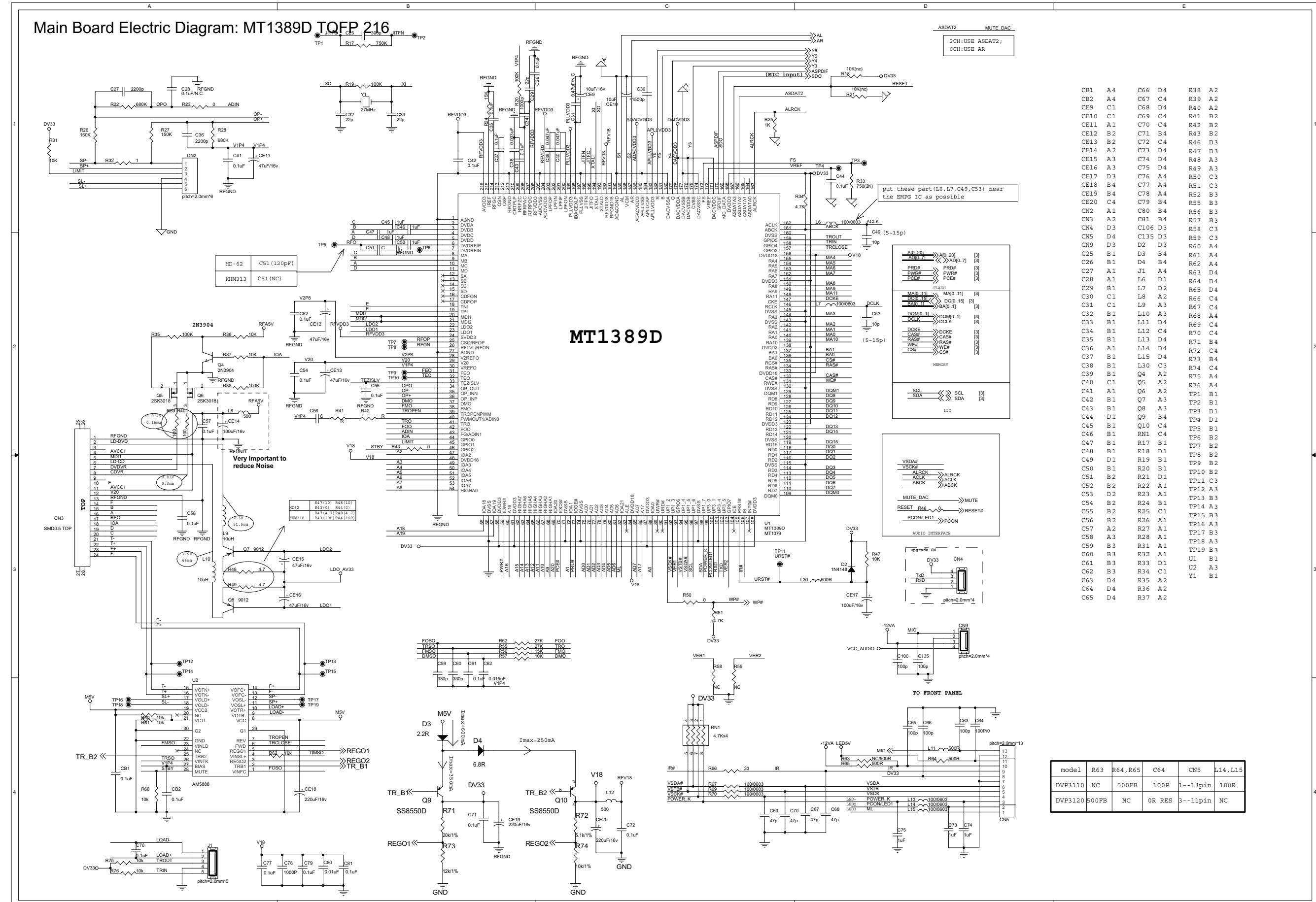
- 1 INDEX & POWER
- 2 RF, SERVO & MPEG - MT1389D
- 3 MEMORY /VIDEO OUT
- 4 AUDIO OUT

NAME	TYPE	DEVICE
VCC	Digital 5V	SUPPLY
DV33	Digital 3.3V	MT1389D
RFV33	Servo 3.3V	MT1389D
LDO_AV33	Laser Diode 3.3V	
AVCC	RF 5V	PICKUP HEADER
V18	Digital 1.8V	MT1389D
SD33	Digital 3.3V	SDRAM
+12V	Audio +12V	OP AMP.
-12V	Audio -12V	OP AMP.
AVDD	Audio 5V	VCC_AUDIO
DVDD	Audio 3V3	VCC3_AUDIO



- CE2 D 2
- CE3 D 2
- CE4 D 2
- CE5 D 3
- CE6 C 3
- CE7 D 3
- CE8 C 4
- CN1 A 3
- C1 D 1
- C2 D 1
- C3 D 1
- C4 D 2
- C5 C 3
- C6 C 3
- C7 C 3
- C8 D 2
- C9 D 2
- C10 A 3
- C11 A 3
- C12 A 3
- C13 A 3
- C14 D 3
- C15 C 3
- C16 D 3
- C17 C 4
- C18 D 4
- C19 D 4
- C20 D 4
- C21 D 4
- C22 D 4
- C23 D 4
- C24 D 4
- L1 D 1
- L2 D 2
- L3 D 2
- L4 D 3
- L5 D 3
- L21 A 3
- L22 C 3
- L23 C 3
- L24 C 3
- Q2 B 3
- Q3 B 3
- R3 D 2
- R5 B 3
- R6 B 3
- R7 B 3
- R8 B 3
- R9 B 3
- R10 B 4
- R11 B 4
- R12 B 4
- R13 B 4
- R14 B 4

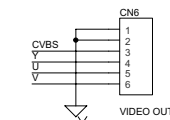
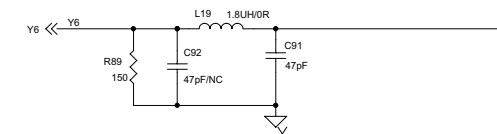
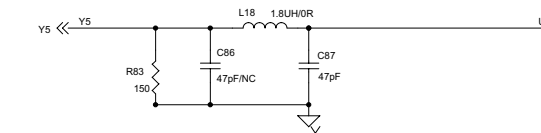
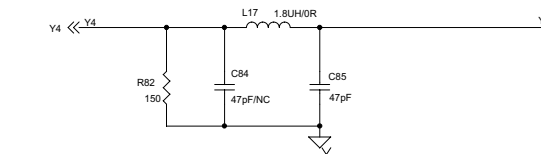
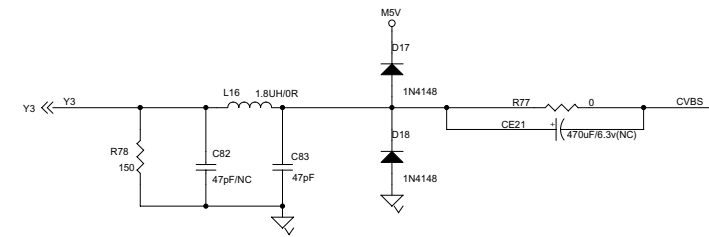
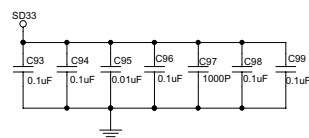
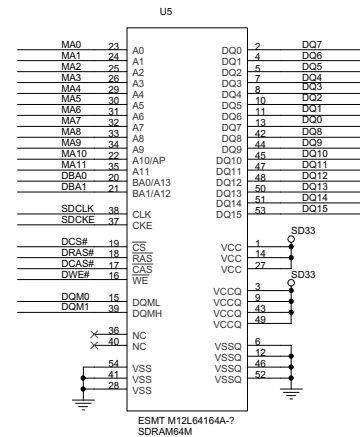
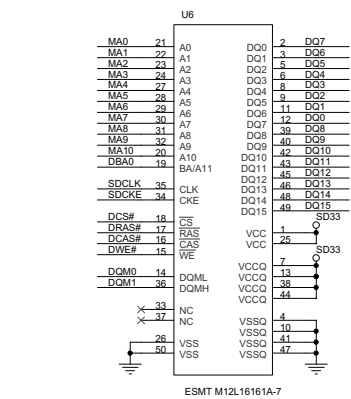
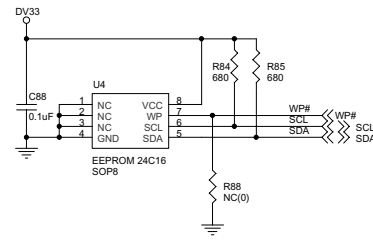
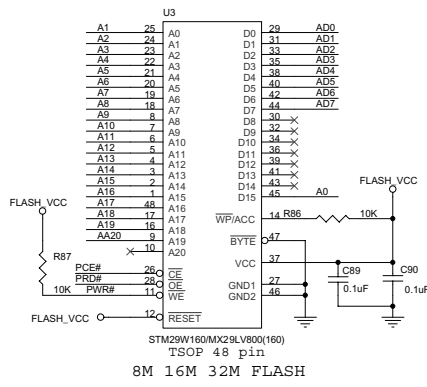
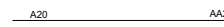
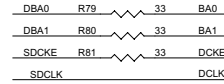
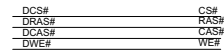
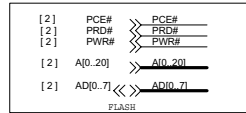
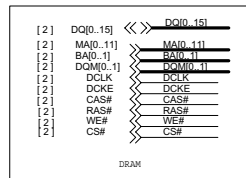
Main Board Electric Diagram: MT1389D TQFP 216



CB1	A4	C66	D4	R38	A2
CB2	A4	C67	C4	R39	A2
CB9	C1	C68	D4	R40	A2
CE10	C1	C69	C4	R41	B2
CE11	A1	C70	C4	R42	B2
CE12	B2	C71	B4	R43	B2
CE13	B2	C72	C4	R44	D3
CE14	A2	C73	D4	R47	D3
CE15	A3	C74	D4	R48	A3
CE16	A3	C75	D4	R49	A3
CE17	D3	C76	A4	R50	C3
CE18	B4	C77	A4	R51	C3
CE19	B4	C78	A4	R52	B3
CE20	C4	C79	B4	R55	B3
CN2	A1	C80	B4	R56	B3
CN3	A2	C81	B4	R57	B3
CN4	D3	C106	D3	R58	C3
CN5	D4	C135	D3	R59	C3
CN9	D3	D2	D3	R60	A4
C25	B1	D3	B4	R61	A4
C26	B1	D4	B4	R62	A4
C27	A1	J1	A4	R63	D4
C28	A1	L6	D1	R64	D4
C29	B1	L7	D2	R65	D4
C30	C1	L8	A2	R66	C4
C31	C1	L9	A3	R67	C4
C32	B1	L10	A3	R68	A4
C33	B1	L11	D4	R69	C4
C34	B1	L12	C4	R70	C4
C35	B1	L13	D4	R71	B4
C36	A1	L14	D4	R72	C4
C37	B1	L15	D4	R73	B4
C38	B1	L30	C3	R74	C4
C39	B1	Q4	A2	R75	A4
C40	C1	Q5	A2	R76	A4
C41	A1	Q6	A2	TP1	B1
C42	B1	Q7	A3	TP2	B1
C43	B1	Q8	A3	TP3	D1
C44	D1	Q9	B4	TP4	D1
C45	B1	Q10	C4	TP5	B1
C46	B1	RN1	C4	TP6	B2
C47	B1	R17	B1	TP7	B2
C48	B1	R18	D1	TP8	B2
C49	D1	R19	B1	TP9	B2
C50	B1	R20	B1	TP10	B2
C51	B2	R21	D1	TP11	C3
C52	B2	R22	A1	TP12	A3
C53	D2	R23	A1	TP13	B3
C54	B2	R24	B1	TP14	A3
C55	B2	R25	C1	TP15	B3
C56	B2	R26	A1	TP16	A3
C57	A2	R27	A1	TP17	B3
C58	A3	R28	A1	TP18	A3
C59	B3	R31	A1	TP19	B3
C60	B3	R32	A1	U1	B1
C61	B3	R33	D1	U2	A3
C62	B3	R34	C1	Y1	B1
C63	D4	R35	A2		
C64	D4	R36	A2		
C65	D4	R37	A2		

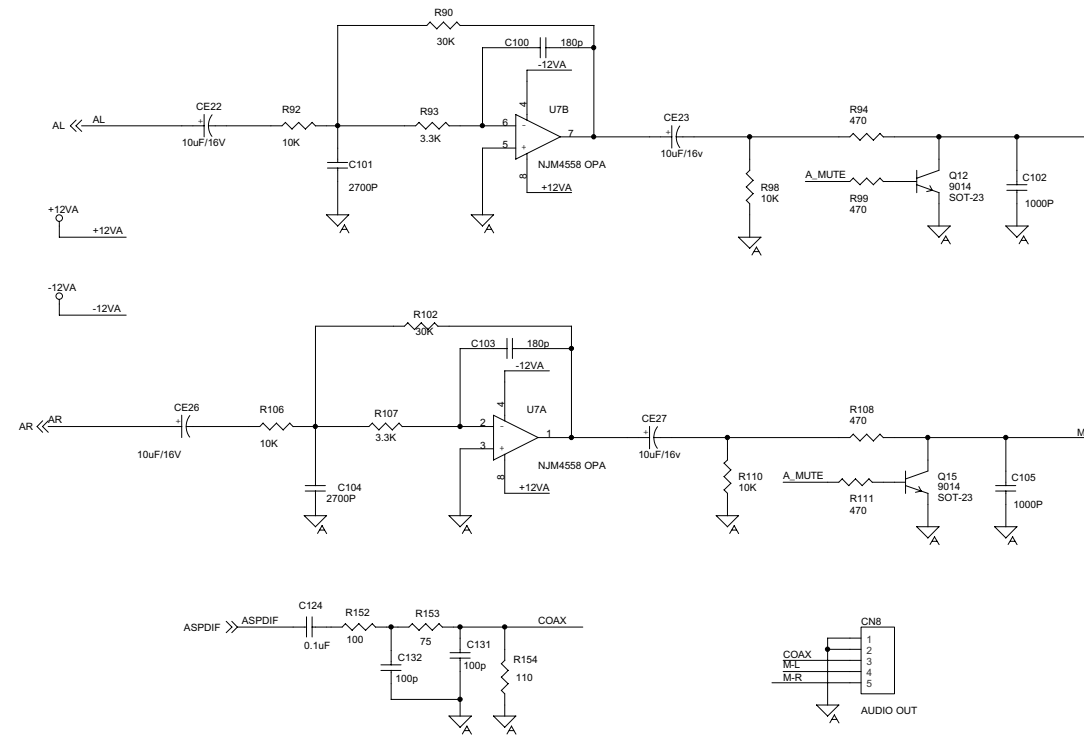
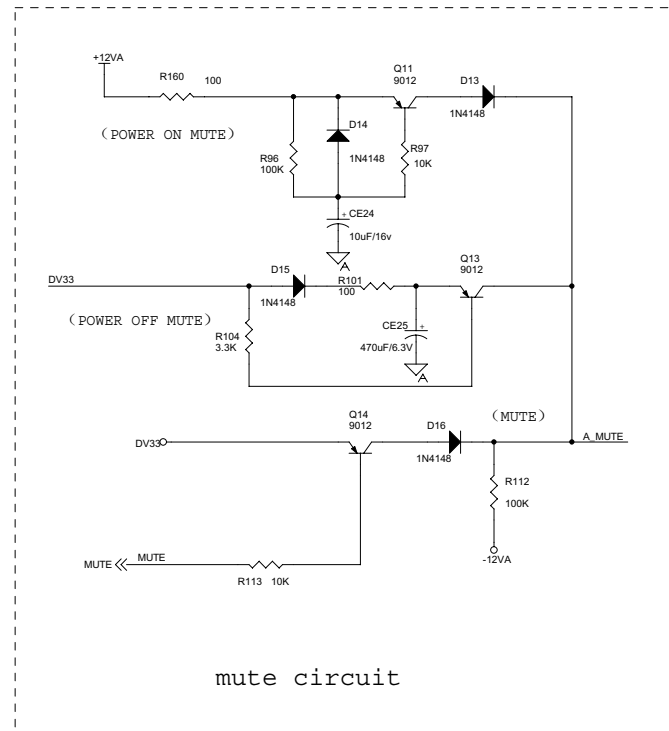
model	R63	R64, R65	C64	CN5	L14, L15
DVP3110	NC	500FB	100P	1--13pin	100R
DVP3120	500FB	NC	0R RES	3--11pin	NC

Main Board Electric Diagram: SDRAM & FLASH&VIDEO OUT

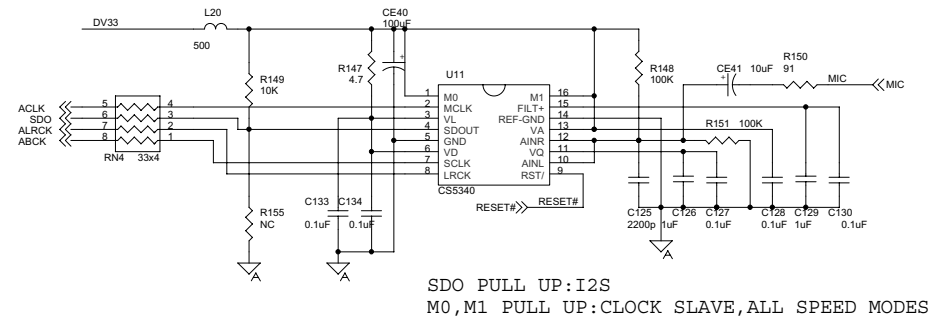


- CE21 D1
- CN6 D3
- C82 D1
- C83 D1
- C84 D2
- C85 D2
- C86 D2
- C87 D2
- C88 B2
- C89 A2
- C90 A2
- C91 D3
- C92 D3
- C93 A4
- C94 A4
- C95 A4
- C96 A4
- C97 A4
- C98 A4
- C99 A4
- D17 D1
- D18 D1
- L16 D1
- L17 D1
- L18 D2
- L19 D3
- R77 D1
- R78 D1
- R79 B1
- R80 B1
- R81 B1
- R82 D2
- R83 D2
- R84 C2
- R85 C2
- R86 A2
- R87 A2
- R88 C2
- R89 D3
- U3 A2
- U4 B2
- U5 B3
- U6 A3

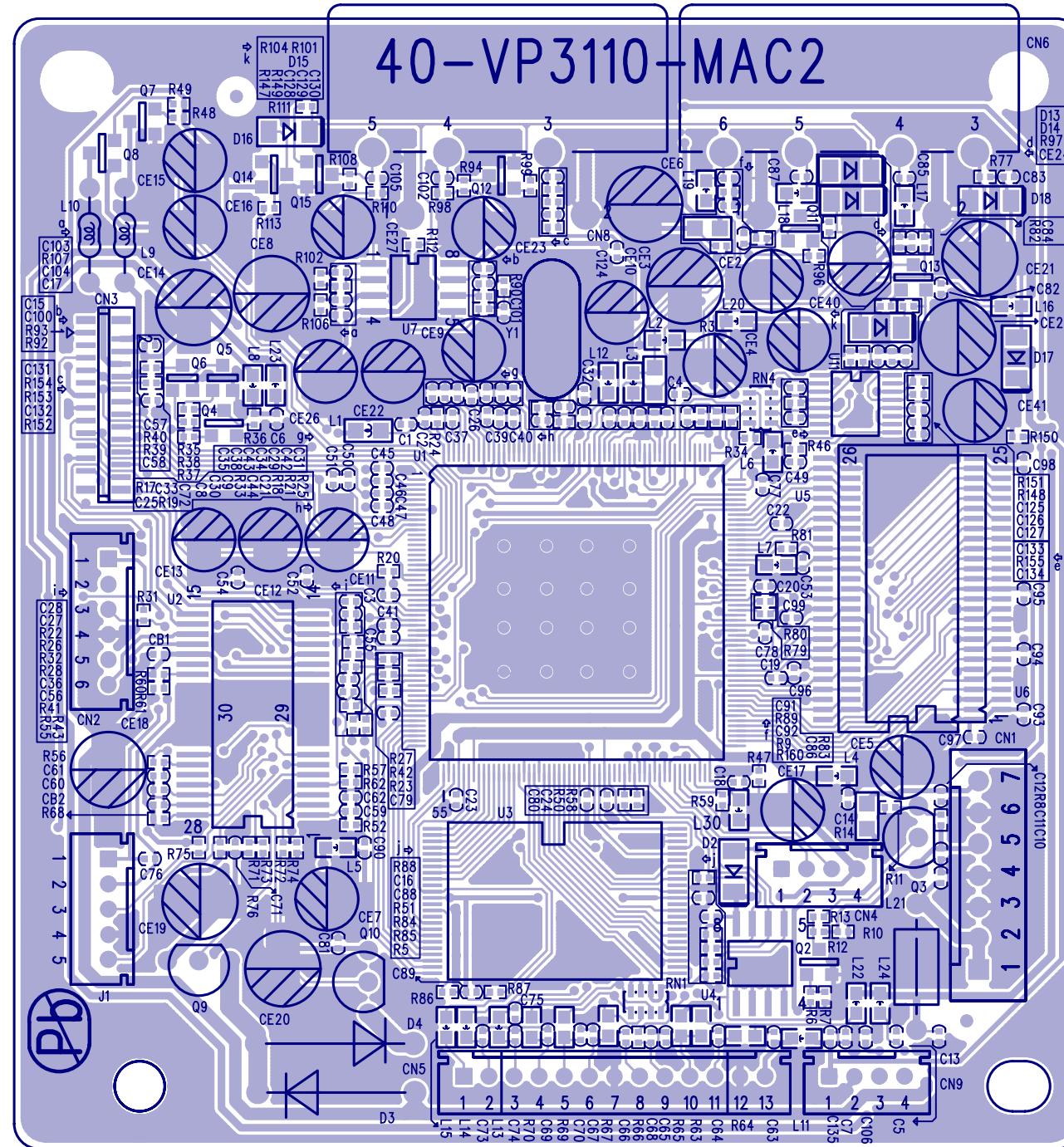
Main Board Electric Diagram: AUDIO OUT



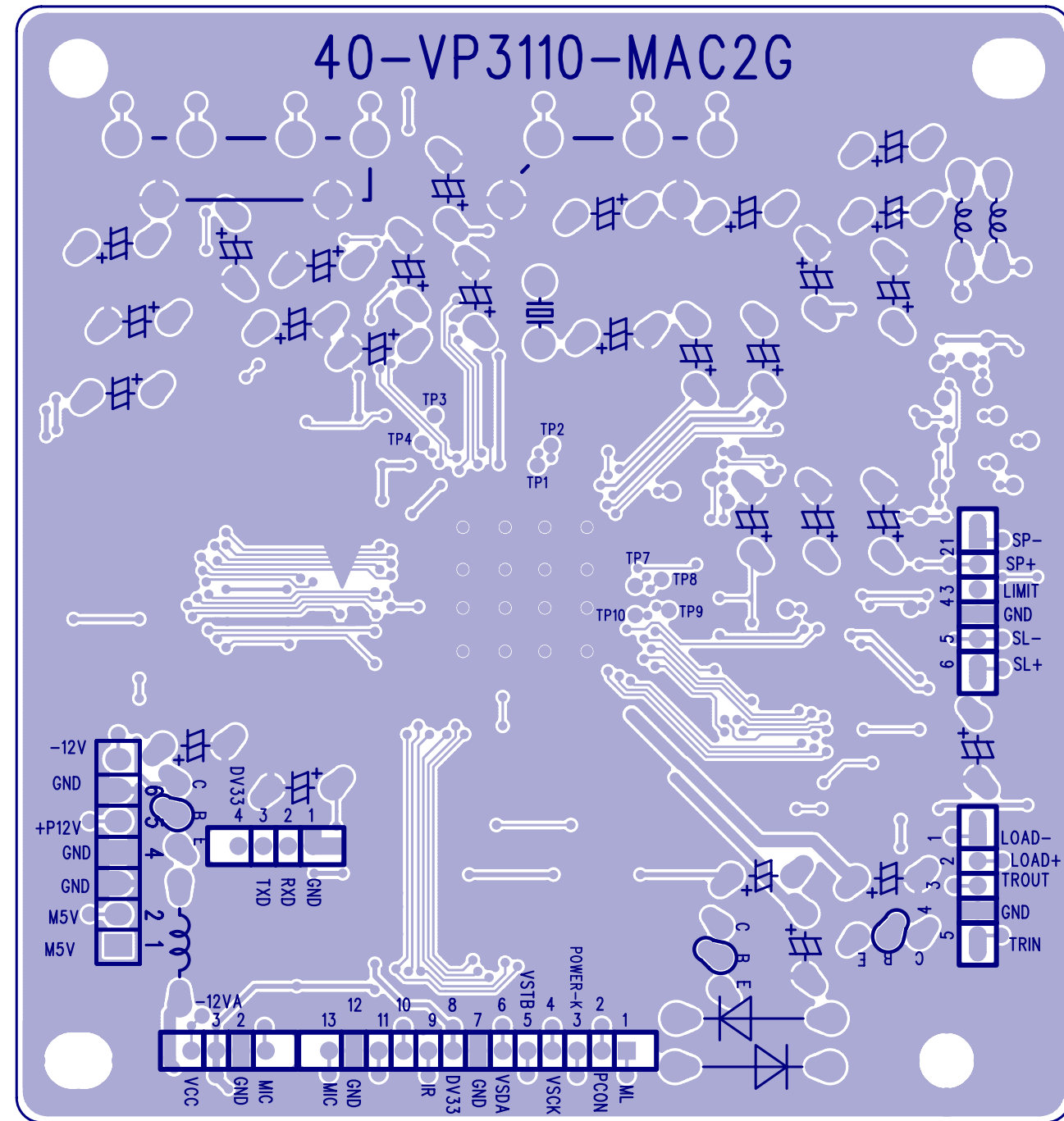
CE22	C1
CE23	D1
CE24	A1
CE25	A1
CE26	C1
CE27	D1
CE40	A3
CE41	B3
CN8	D2
C100	C1
C101	C1
C102	D1
C103	C1
C104	C2
C105	D2
C124	C2
C125	B3
C126	B3
C127	B3
C128	B3
C129	B3
C130	B3
C131	C2
C132	C2
C133	A3
C134	A3
D13	B1
D14	A1
D15	A1
D16	B2
L20	A3
Q11	A1
Q12	D1
Q13	B1
Q14	A2
Q15	D2
RN4	A3
R90	C1
R92	C1
R93	C1
R94	D1
R96	A1
R97	A1
R98	D1
R99	D1
R101	A1
R102	C1
R104	A1
R106	C1
R107	C1
R108	D1
R110	D2
R111	D2
R112	B2
R113	A2
R147	A3
R148	B3
R149	A3
R150	B3
R151	B3
R152	C2
R153	C2
R154	C2
R155	A3
R160	A1
U7A	C1
U7B	C1
U11	B3



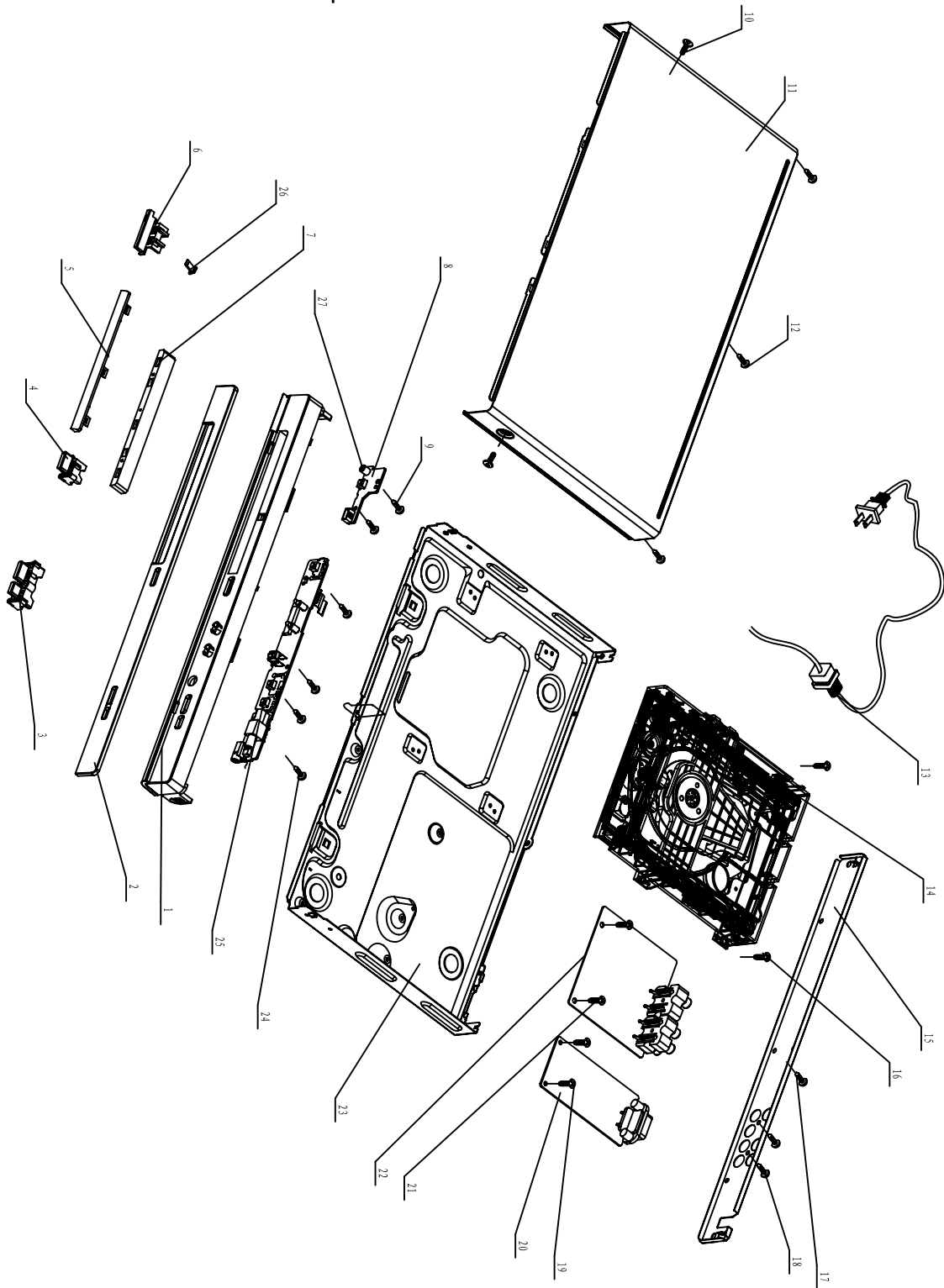
Main Board Print-Layout (Top Side)



Main Board Print-Layout (Bottom Side)



DVP3110/XX Mechanical Exploded View



Remark:

Ass'y1 is the assembled component for location 1,2,3,4,6,26

Ass'y2 is the assembled component for location 5,7

It's a general Mechanical Exploded View for DVP3110/XX, Detailed information please refer to Model set.

ENCASING & ACCESSORIES PARTS LIST**SCREW LIST**

No	12NC No.	Part Name	Q'ty	No	12NC No.	Part Name	Q'ty
Ass'y1	996510001772	Front Panel ass'y	1	9	/	S/T Screw B2.6X8 BF	2
Ass'y2	996510001771	Front Panel door	1	10	/	Triangle M/C Screw 3*6	2
8	996500034178	Ass'y-Switch Board	1	12	/	Triangle M/C Screw B3*6	3
11	996510001775	Top cover	1	16	/	Machine Screw	4
13	996510001206	Power Cord	1	17	/	Machine Screw	1
				18	/	S/T Screw B 3 X 8 BF	2
14	996510001763	Loader	1	19	/	Triangle M/C Screw B3*6	2
15	996510001773	Rear Cabinet	1	21	/	Triangle M/C Screw B3*6	2
20	996510001673	Ass'y-Power Board	1	24	/	S/T Screw B2.6X8 BF	4
22	996510001761	Ass'y-Main Board	1				
23	996510001774	Bottom Cabinet	1				
25	996510001762	Ass'y-Front Board	1				
27	/	LED Support	1				

Accessory

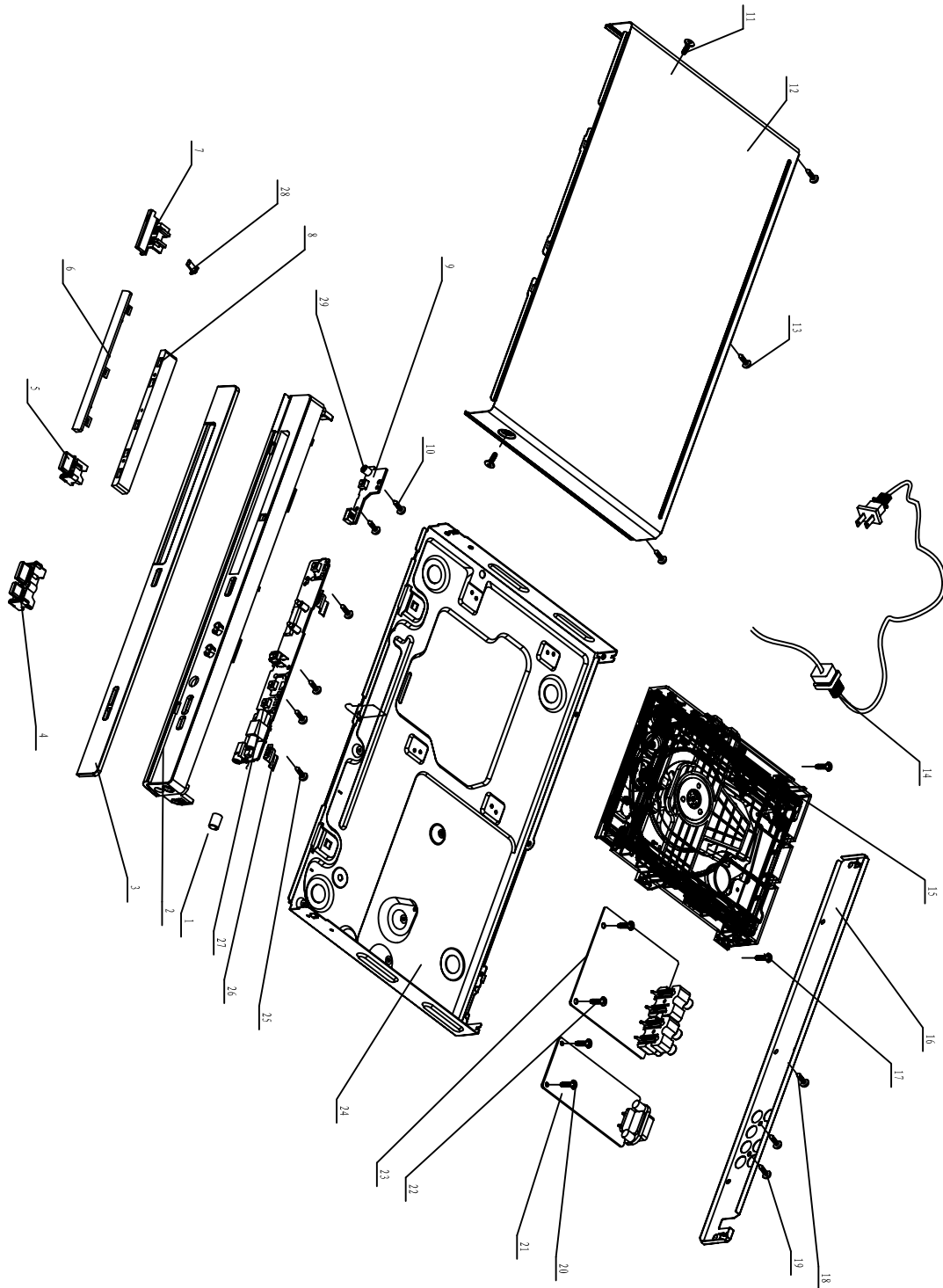
DBOX	996510001769	DISPLAY BOX	1
AV Cable	996510001106	VIDEO CABLE 1500mm	1
RC	996510001764	REMOTE CONTROL	1
PBAG	996510001768	POLY BAG	1
RBuffer	996510001770	RIGHT CARD	1
LBuffer	996510001214	LEFT CARD	1

Cable

CON302	996510000547	4P HS	1
CON301	996510001767	CABLE 9PIN (PH-9Y/JC20-9Y)	1
CN1	996510001169	TJC3-7Y/SCN-7P L=80MM	1
MAINJ1	996510001766	CABLE HS 5P 2468#26 150MM	1
CN3	996510001765	CABLE FFC 24PIN 0.5PITCH 220MM	1

Note: Only the parts mentioned in this list are normal service spare parts

DVP3110K/XX Mechanical Exploded View



Remark:

Ass'y1 is the assembled component for location 2,3,4,5,7,28

Ass'y2 is the assembled component for location 6,8

It's a general Mechanical Exploded View for DVP3110K/XX, Detailed information please refer to Model set.

ENCASING & ACCESSORIES PARTS LIST**SCREW LIST**

No	12NC No.	Part Name	Q'ty	No	12NC No.	Part Name	Q'ty
1	/	Knob	1	10	/	S/T Screw B2.6X8 BF	2
Ass'y1	996510001785	Front Panel ass'y	1	11	/	Triangle M/C Screw 3*6	2
Ass'y2	996510001784	Front Panel door	1	13	/	Triangle M/C Screw B3*6	3
9	996500034178	Ass'y-Switch Board	1	17	/	Machine Screw	4
12	996510001775	Top cover	1	18	/	Machine Screw	1
14	996510001179	Power Cord for DVP3110K/56	1	19	/	S/T Screw B 3 X 8 BF	2
	996510001537	Power Cord for DVP3110K/98		20	/	Triangle M/C Screw B3*6	2
	996510002166	Power Cord for DVP3110K/75		22	/	Triangle M/C Screw B3*6	2
	996510005908	Power Cord for DVP3110K/11		25	/	S/T Screw B2.6X8 BF	4
15	996510001763	Loader	1				
16	996510002222	Rear Cabinet for DVP3110K/56/75	1				
	996510001786	Rear Cabinet for DVP3110K/98					
	996510005909	Rear Cabinet for DVP3110K/11					
21	996510001190	Ass'y-Power Board for DVP3110K/98	1				
	996510001165	Ass'y-Power Board for DVP3110/56/75					
	996510005904	Ass'y-Power Board for DVP3110K/11					
23	996510001776	Ass'y-Main Board	1				
24	996510001774	Bottom Cabinet	1				
26	/	Earthing Plate	1				
27	996510001777	Ass'y-Front Board	1				
29	/	LED Support	1				

Accessory

LBuffer	996510001214	LEFT CARD	1
RBuffer	996510001783	RIGHT CARD for DVP3110K/98	1
DBOX	996510001782	DISPLAY BOX	1
DBOX	/	DISPLAY BOX for DVP3110K/11	
AV Cable	996510001106	VIDEO CABLE 1500mm	1
RC	996510001778	REMOTE CONTROL	1
PBAG	996510001768	POLY BAG	1

Cable

CN1	996510001169	TJC3-7Y/SCN-7P L=80MM	1
CN3	996510001765	CABLE FFC 24PIN 0.5PITCH 220I	1
CON301	996510001779	CABLE HS 13P 2468#26 150MM	1
CON302	996510000547	4P HS	1
J1	996510001766	CABLE HS 5P 2468#26 150MM	1

Note: Only the parts mentioned in this list are normal service spare parts

REVISION LIST

Version 1.0

* Initial release

Version 1.1

*Include DVP3110K/11

Remark: This Service manual only for Philips Service repairment, Please Don't transmittre or forward it to others.